

# PRO SC10

*Nothrup Fabrications*

# TROPHY RAT



# Reflex DB10

OFF ROAD BUGGY

- #70015 PRO SC10 RJ/Rockstar Energy RTR
- #70016 PRO SC10 AE Team RTR
- #70019 Trophy Rat RTR
- #90040 Reflex DB10 RTR

*Ready-To-Run*

**1:10 Scale Electric 2WD Off Road Race Truck Manual & Catalog**

# TEAM ASSOCIATED



Designed in California, USA

## :: Introduction

Thank you for purchasing this Team Associated product. This assembly manual contains instructions and tips for building and maintaining your new RTR. Please take a moment to read through this manual to help familiarize yourself with these steps. We are continually changing and improving our designs; therefore, actual parts may appear slightly different than in the illustrations. New parts will be noted on supplementary sheets.

## :: KIT Features

- Based off the 9-time R.O.A.R. National Champion short-course race truck platform
- 2.4GHz 2-channel radio system with new DVC receiver
- High-torque, metal-gear Reedy Servo with spring style servo saver
- Powerful Reedy 3300kV Brushless motor
- Water-resistant high-power Reedy brushless speed control with T-plug connector and LiPo low voltage cutoff
- Factory finished off road body
- Water-resistant enclosed receiver box
- Aluminum 12mm "big bore" coil-over shock absorbers
- 2.6:1 ratio gearbox with heavy-duty sealed gear differential and externally adjustable V2 slipper clutch
- Realistic Method Wheels with 12mm front and rear hex-drive nuts
- Durable and light weight aluminum top shaft
- Low center-of-gravity molded composite chassis with hook and loop battery straps that accommodate for both NiMh and 2/3s LiPo battery packs
- Metric hardware throughout
- 14 precision rubber sealed ball bearings
- Durable front and rear body mounts
- Rugged steel turnbuckles for adjustable camber and front toe-in
- Fully adjustable suspension geometry
- Vertical ball ends for roll center adjustments, front and rear
- Rear CVA drive shafts for more reliability.
- Many Factory Team options already available!

## :: Additional

Your new RTR comes factory assembled including radio gear, motor, and ESC. However, there are some items you will need to complete your kit (refer to catalog section for suggestions):

- AA-size batteries for transmitter (#302 x4)
- Peak Detection Charger or LiPo Compatible Charger
- 6 cell NiMH battery pack or 2S LiPo battery pack w/High Current T Plug.

Tools included:

- Allen wrenches 1.5mm, 2.0mm, 2.5mm
- #1113 12mm Shock Tool
- Multi-wrench

## :: Other Helpful Items

- Green Slime shock lube (AE # 1105)
- Thread Locking Compound (AE # 1596)
- Silicone Diff Fluid (Refer to catalog for complete listings)
- 8 Piece Hex Driver Set (AE # 1655)
- Hobby Knife
- Needle Nose Pliers
- Calipers or a Precision Ruler
- Reamer / Hole Punch
- FT Nut Drivers (AE #1663 - 1668, used with #1655 or 1656 handle)
- Cyanoacrylate glue (AE # 1597)
- Silicone Shock Fluid (Refer to catalog for complete listings)
- Body Scissors (AE # 1737)
- FT Hex Wrenches (AE # 1655)
- Wire Cutters
- Soldering Iron
- Ride Height Gauge (AE #1449)
- Turnbuckle Wrench (AE #1114)













**Associated Electrics, Inc.**  
**26021 Commercentre Dr.**  
**Lake Forest, CA 92630**



**Customer Service**  
**Tel: 949.544.7500**  
**Fax: 949.544.7501**

**:: Hardware - 1:1 Scale View**

**Button Head (bhcs)**

-  **2x4mm (31510)**  
**Aluminum (8545)**
-  **2.5x8mm (31521)**
-  **3x5mm (31530)**
-  **3x8mm (31532)**  
**Aluminum (8552)**  
**Titanium (91581)**
-  **3x10mm (25211)**  
**Aluminum (8554)**  
**Titanium (91582)**
-  **3x12mm (89202)**  
**Titanium (91583)**
-  **3x14mm (25187)**  
**Titanium (91584)**
-  **3x16mm (89203)**  
**Titanium (91585)**
-  **3x22mm (25189)**  
**Titanium (91588)**
-  **3x24mm (89204)**  
**Titanium (91589)**
-  **3x26mm (89205)**
-  **3x30mm (91478)**






**Cap Head (shcs)**

-  **2.5 x 14mm (71032)**

**Clips**

-  **E-clip 1/8 (6299)**






**Flat Head (fhcs)**

-  **3x8mm (25201)**  
**Aluminum (8553)**  
**Titanium (91592)**
-  **3x10mm (25202)**  
**Aluminum (8555)**  
**Titanium (91593)**
-  **3x12mm (25203)**  
**Aluminum (8556)**  
**Titanium (91594)**
-  **3x14mm (89208)**  
**Aluminum (8567)**  
**Titanium (91595)**
-  **3x16mm (25204)**  
**Titanium (91596)**





**Set Screws**

-  **3x3mm (25225)**

**Shims and Washers**

-  **Servo Mount Washer (7337)**  
**(.250 x .125 x .815)**
-  **FT Ballstud Washer, Aluminum**  
**(0.5mm) (31381)**
-  **FT Ballstud Washer, Aluminum**  
**(1mm) (31382)**
-  **FT Ballstud Washer, Aluminum**  
**(2mm) (31383)**
-  **3x6x0.5mm Washer (7164)**

**Ball Bearings**

-  **3x7x3mm (91475)**
-  **5x10x4mm (25237)**
-  **6x13x5 (91476)**
-  **10x15x4 (25616)**

**Ballstuds**

-  **HD 6mm (91047)**  
**Ti Nitride HD 6mm (91118)**
-  **HD 8mm (91048)**  
**Ti Nitride HD 8mm (91119)**
-  **HD 10mm (91049)**  
**Ti Nitride HD 10mm (91120)**

**Nuts (lock/plain)**

-  **M3 Nut (91477)**
-  **M3 Alum. Locknut, Blue (31550)**
-  **M3 Locknut, Black (25215)**
-  **M3 Locknut w/Flange (25612)**
-  **FT 3mm Locknuts, Blue(25392)**
-  **M4 Locknut w/Flange (91148)**
-  **FT M4 Locknuts w/Flange,**  
**Blue (31551)**

**Notes:**

**:: Table of Contents**

|   |   |
|---|---|
| 1..... Cover                                | 14.....Gearbox Install                          |
| 2..... Introduction                         | 15.....Rear Hub and CVA Build                   |
| 3.....1:1 Hardware "Fold Out"               | 15 - 16.....Turnbuckles Build                   |
| 4..... Table of Contents                    | 16 - 18.....Shocks Build                        |
| 5 - 7.....Quick Start Guide                 | 18 - 20.....Electronics Build                   |
| 8.....Front Top Plate and<br>Steering Build | 20 - 21.....Bumpers and Chassis<br>Braces Build |
| 9 - 10.....Front Suspension Build           | 22 - 23.....Tires and Body Build                |
| 10 - 11.....Rear Suspension Build           | 23 - 24.....Tuning Tips                         |
| 11 - 12.....Gear Differential Build         | 25 - 33.....Catalog                             |
| 12 - 13.....Gearbox Build                   | 34..... Back Cover                              |
| 13.....Slipper Build                        |   |

**:: Notes**

***This symbol indicates a special note or instruction in the manual.***



***This symbol indicates a Racers Tip.***



***There is a 1:1 hardware foldout page in the front of the manual. To check the size of a part, line up your hardware with the correct drawing until you find the exact size. Each part in the foldout has a number assigned to it for ordering replacement parts.***

**Associated Electrics, Inc.  
26021 Commercentre Dr.  
Lake Forest, CA 92630**



**Customer Service  
Tel: 949.544.7500  
Fax: 949.544.7501**

## :: Quick Start Guide

### Battery Charging Steps and Safety:

Remove the battery from the vehicle before charging.  
Place battery on a fire resistant surface.  
Avoid any contact with water or other liquids.  
Be sure to select the correct charging mode for the type of battery you are charging.

**ALWAYS** use a compatible charger for charging your batteries.

**Caution: Never leave the battery unattended while charging. Always disconnect the charger from the power source when finished charging.**

**Caution: Always disconnect the battery when you are finished driving the vehicle.**



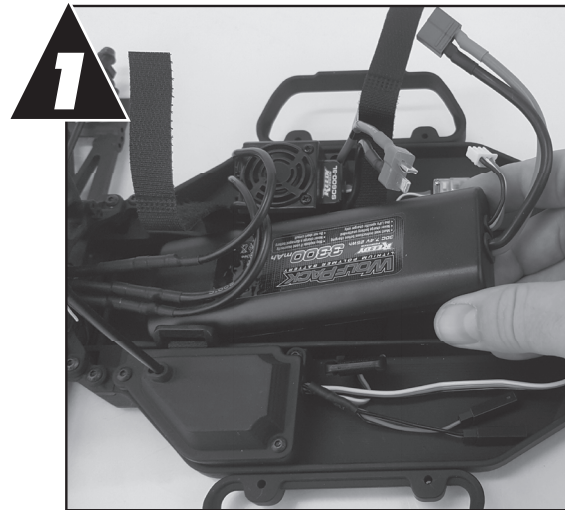
**Peak Detection  
Quick Charger**

## :: Quick Start Guide - (cont.)

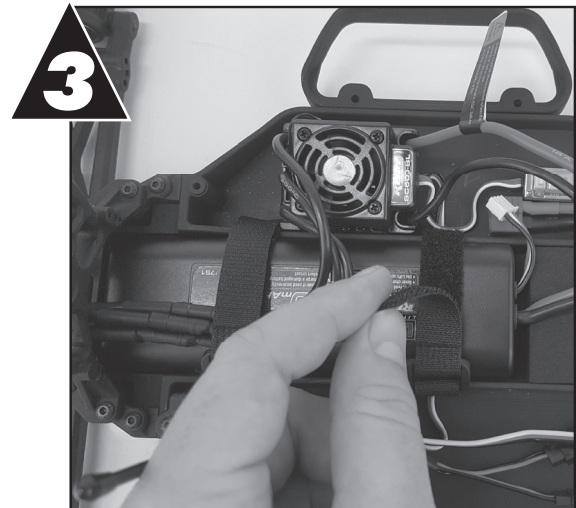
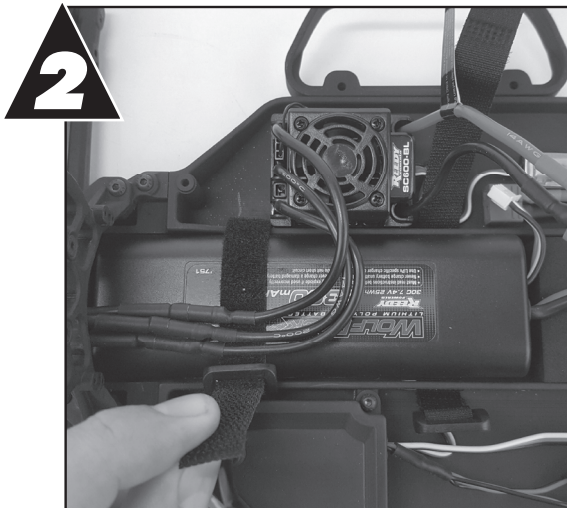
### Battery Installation:

1. Install the battery with the battery wires directed towards the front of the vehicle.
2. Secure the hook and loop strap near the rear shock tower. Pull the strap over the motor wires for added security.
3. Secure the hook and loop strap near the front shock tower.

You may move the foam pad to either the front or the rear of the battery compartment to adjust the weight balance of the vehicle.



## :: Quick Start Guide - (cont.)



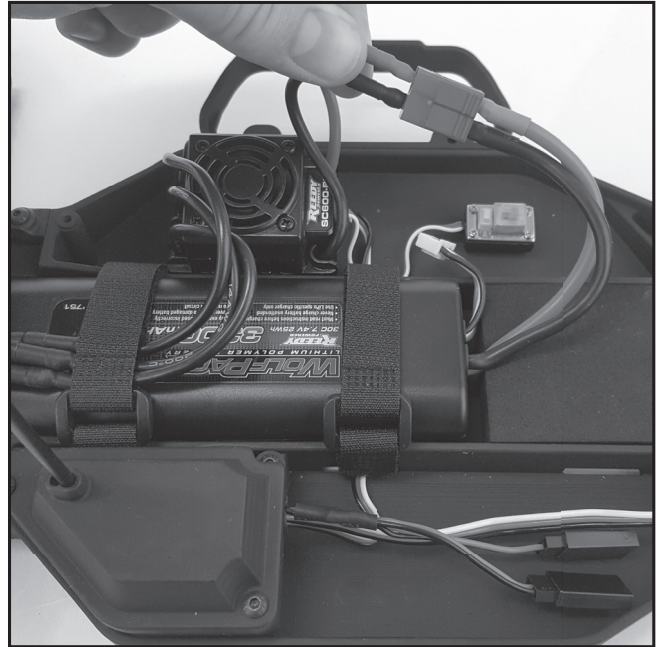
## :: Quick Start Guide - (cont.)

### Battery Notes and Tip:

Connect the battery as shown.  
Disconnect the battery when not in use!

**LiPo:** LiPo batteries (lithium polymer) are high current rechargeable batteries. LiPo batteries offer extended run time and peak performance over NiMH batteries. They require a peak detection charger designed specifically for LiPo batteries. These batteries require special care and handling. LiPo batteries are recommended for advanced users only!  
**ALWAYS** charge a LiPo battery in LiPo mode.

If using a 3S LiPo battery, use a smaller pinion gear as a starting point (use part # 1335 17T Pinion). This provides the correct gear ratio required for the more powerful 3S LiPo battery. Gearing will depend on the surface you are running on, and the size of the track/area that you are driving in.



## :: Quick Start Guide - (cont.)

### Radio System Tuning and Controls:

**RULE:** Transmitter on First/Vehicle on Second,  
Vehicle off First/ Transmitter off Last!

- 1) Slide the battery cover to remove cover.
- 2) Install alkaline or rechargeable AA size batteries into the battery holder.
- 3) Slide the battery cover back into place making sure it is completely closed and secure.
- 4) Turn the power ON. If the power indicator LED fails to light, check the batteries for insufficient contact or incorrect polarity.



On/Off Switch

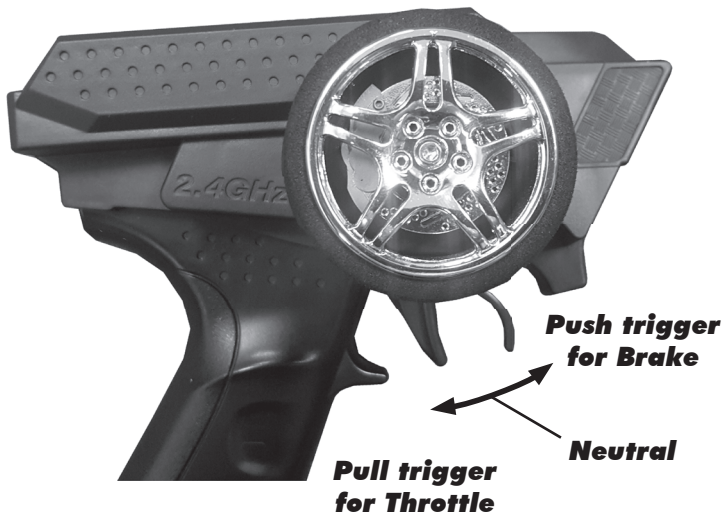
## :: Quick Start Guide - (cont.)

### Radio System Tuning and Controls:

**DO NOT** hold the trigger when turning on the radio.

If using optional battery for transmitter, be sure to plug it in correctly. Plugging in a battery backwards can cause damage.

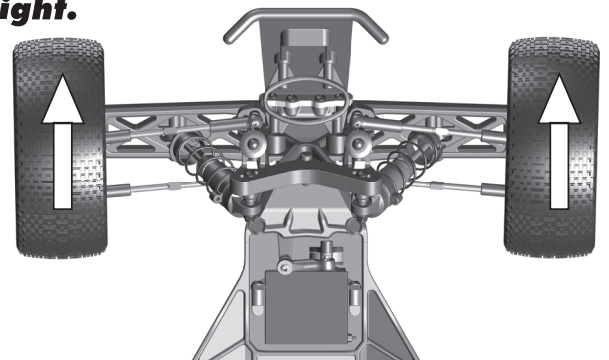
Refer to Radio owners manual for more in-depth instructions on radio operation and functions.



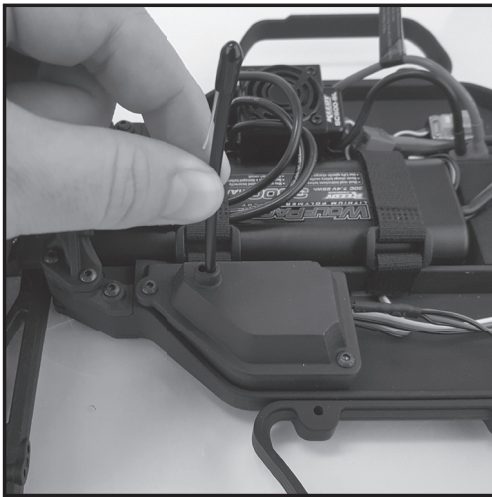
**Throttle set to Neutral!**



**Adjust steering trim so front wheels point straight.**



## :: Quick Start Guide - (cont.)



**Install antenna wire through antenna tube, then install antenna tube as shown.**



**Plug in the LED wires from your body (Reflex/Trophy Rat) to the receiver as shown.**

**Install body and body clips.  
Ready to go!**

**:: Front Top Plate and Steering Build - Step 1**

**91047**  $\Sigma 2$   
Heavy-duty Ballstud, 6mm

**91475**  $\Sigma 4$   
3 x 7 x 3 Ball Bearing

**91391**  
Steering Rack

**91391**  $\Sigma 2$   
Steering Rack Crush Tube

**91391**  
Steering Bellcrank Brace

**91047**  
Heavy-duty Ballstud, 6mm

**89202**  $\Sigma 2$   
M3 x 12mm BHCS

**!**  
Do not overtighten steering bolts. Make sure there is free movement in the steering rack.

**!**  
Note orientation of steering rack.

**:: Front Top Plate and Steering Build - Step 2**

**!**  
Note orientation of the brace.

**91475**  $\Sigma 4$   
3 x 7 x 3 Ball Bearing

**91391**  
Steering Bellcrank Brace

**91358**  
Chassis Brace Set (Top Plate)

**25189**  $\Sigma 2$   
M3 x 22mm BHCS

**:: Front Top Plate and Steering Build - Step 3**

**25202**  $\Sigma 2$   
M3 x 10mm FHCS

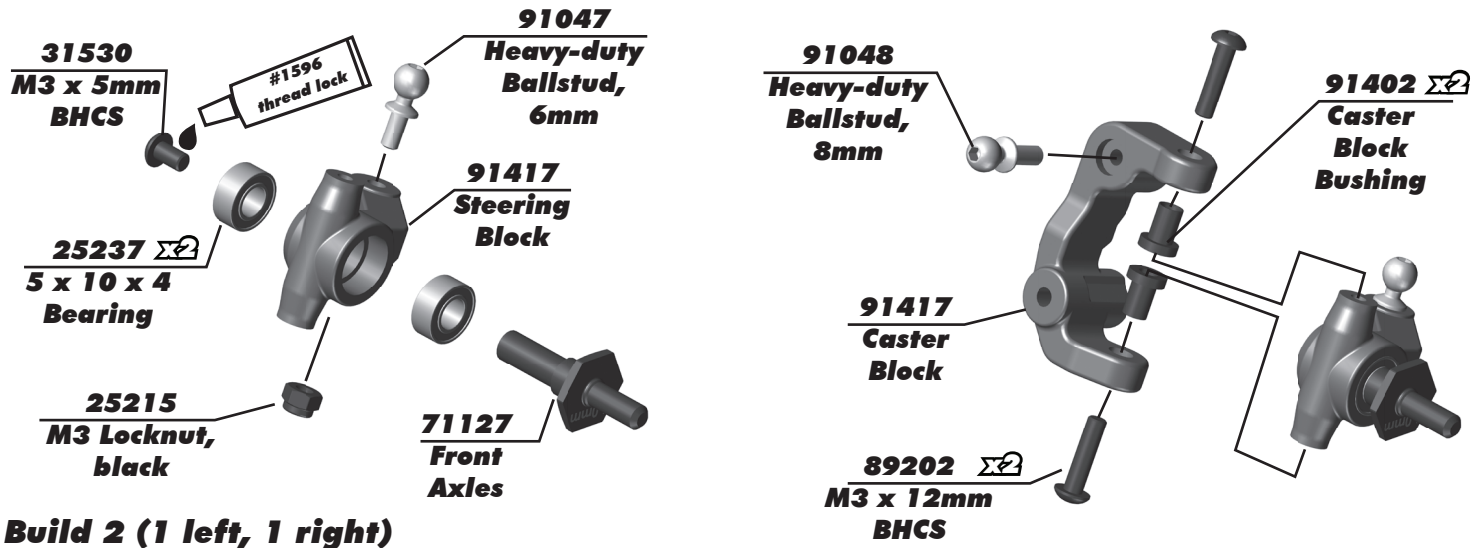
**91359**  
Bulkhead

**71024**  
Chassis

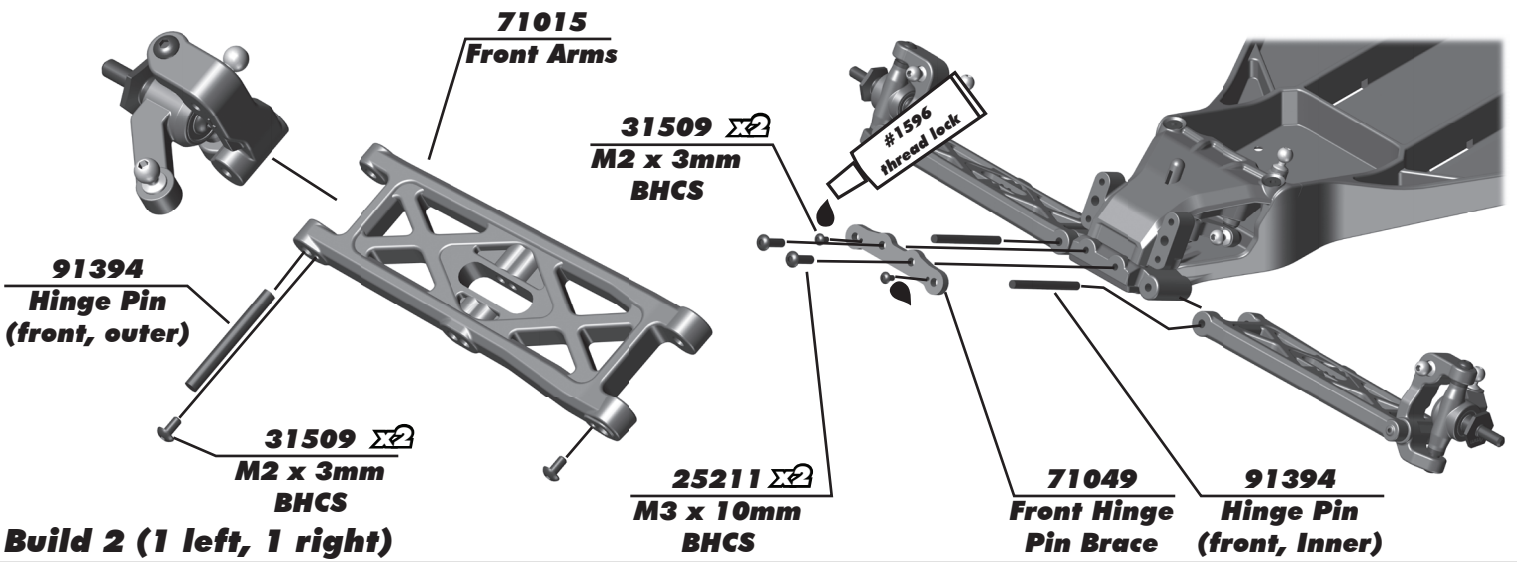
**25204**  $\Sigma 2$   
M3 x 16mm FHCS



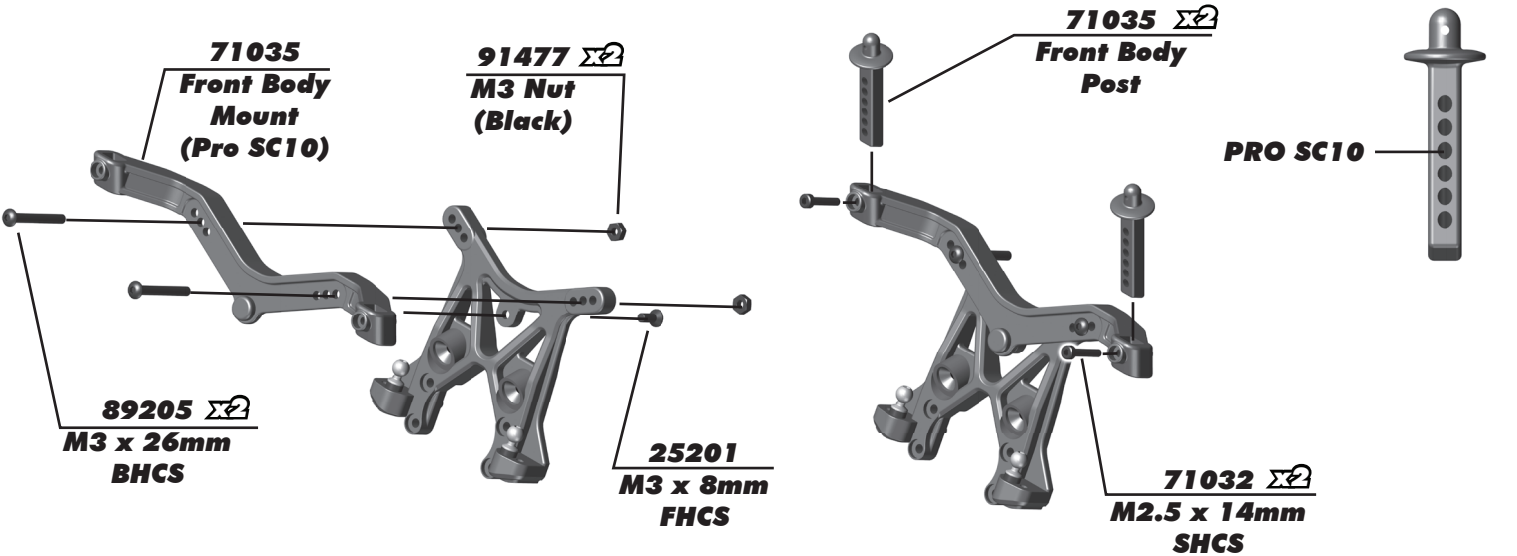
**:: Front Suspension Build - Step 1**



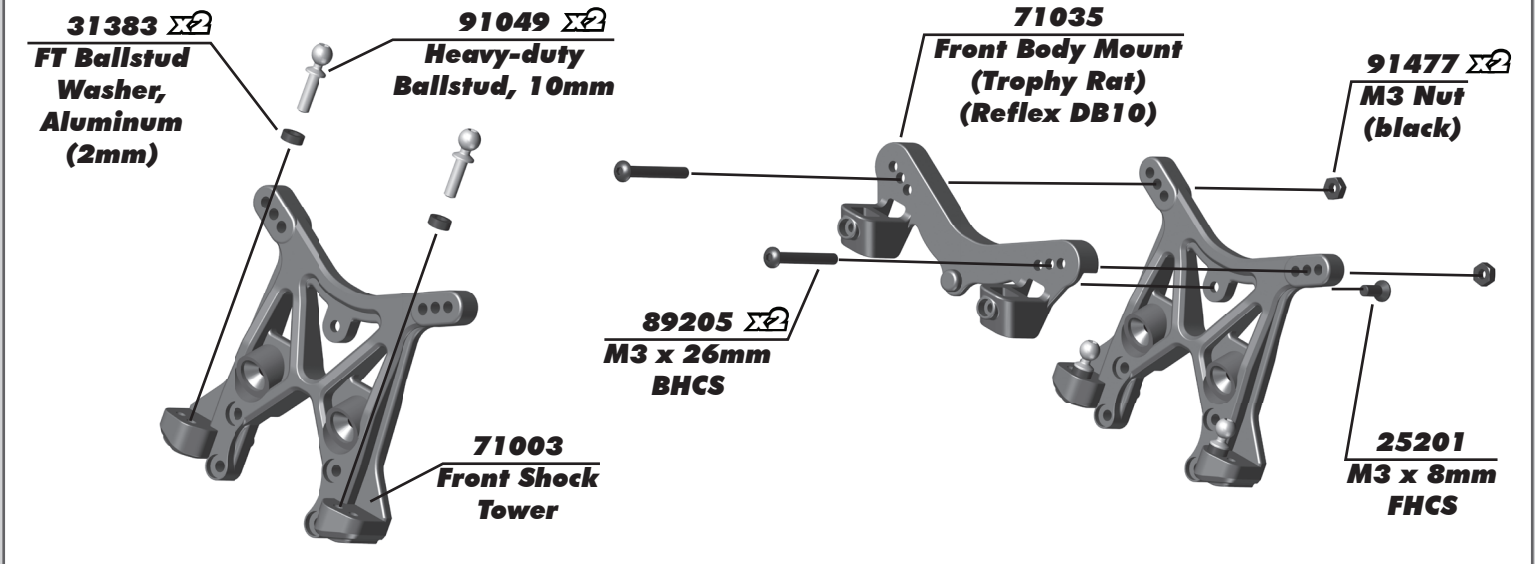
**:: Front Suspension Build - Step 2**



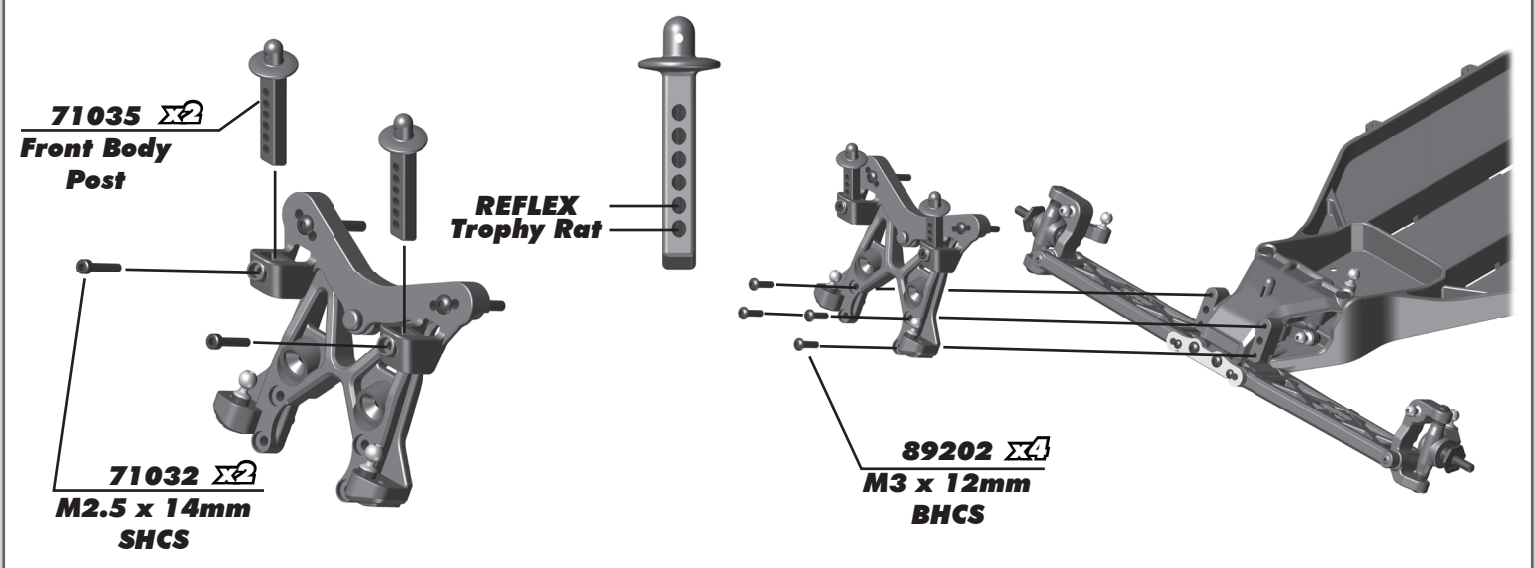
**:: Front Suspension Build - (PRO SC10) - Step 3**



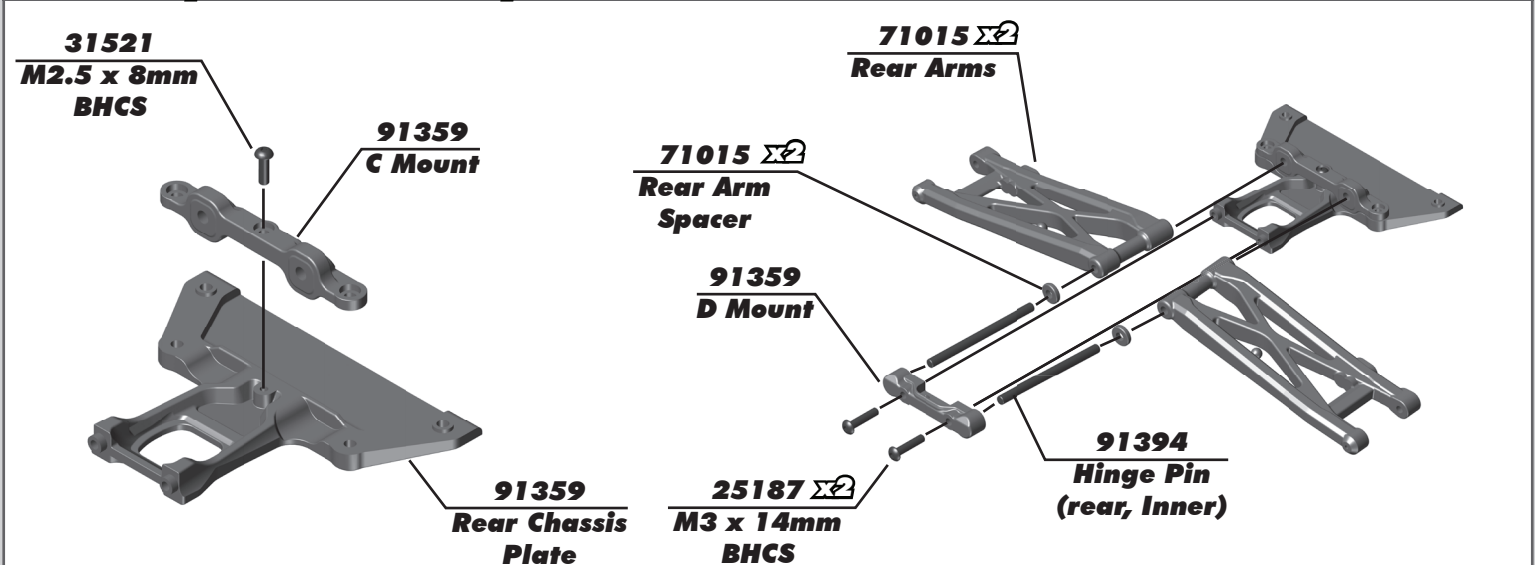
**:: Front Suspension Build - (REFLEX, TROPHY RAT) - Step 4**



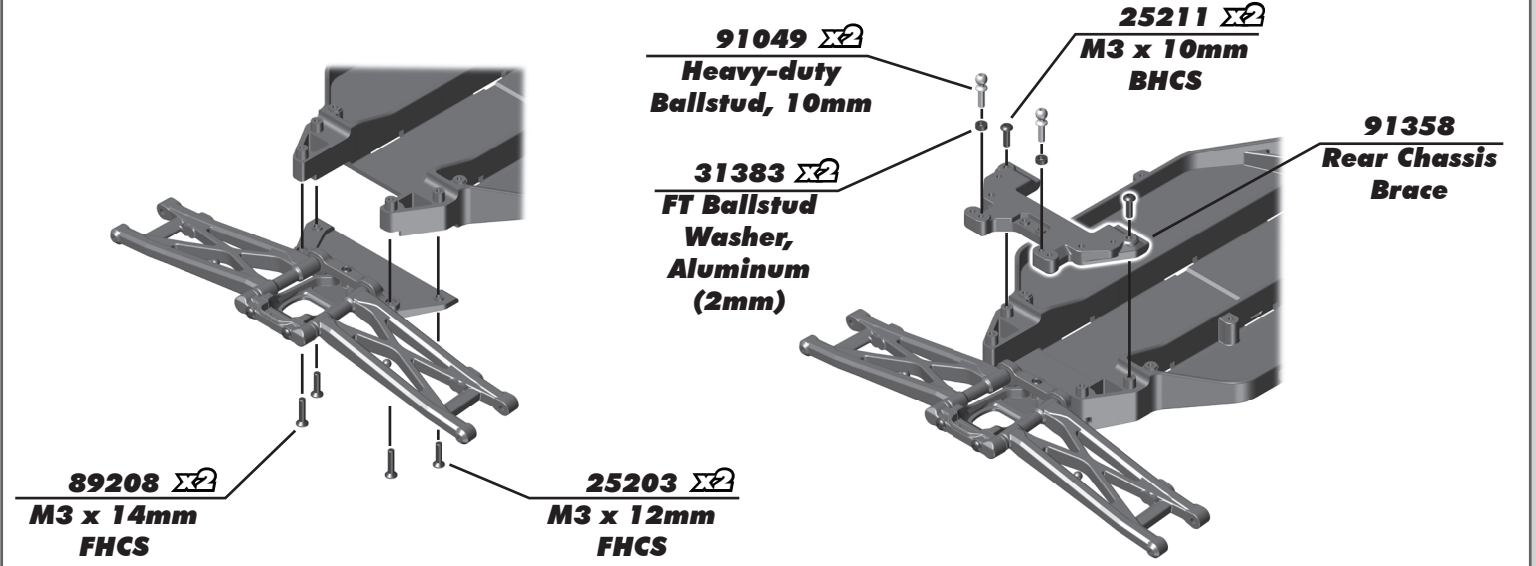
**:: Front Suspension Build - (REFLEX, TROPHY RAT) - Step 5**



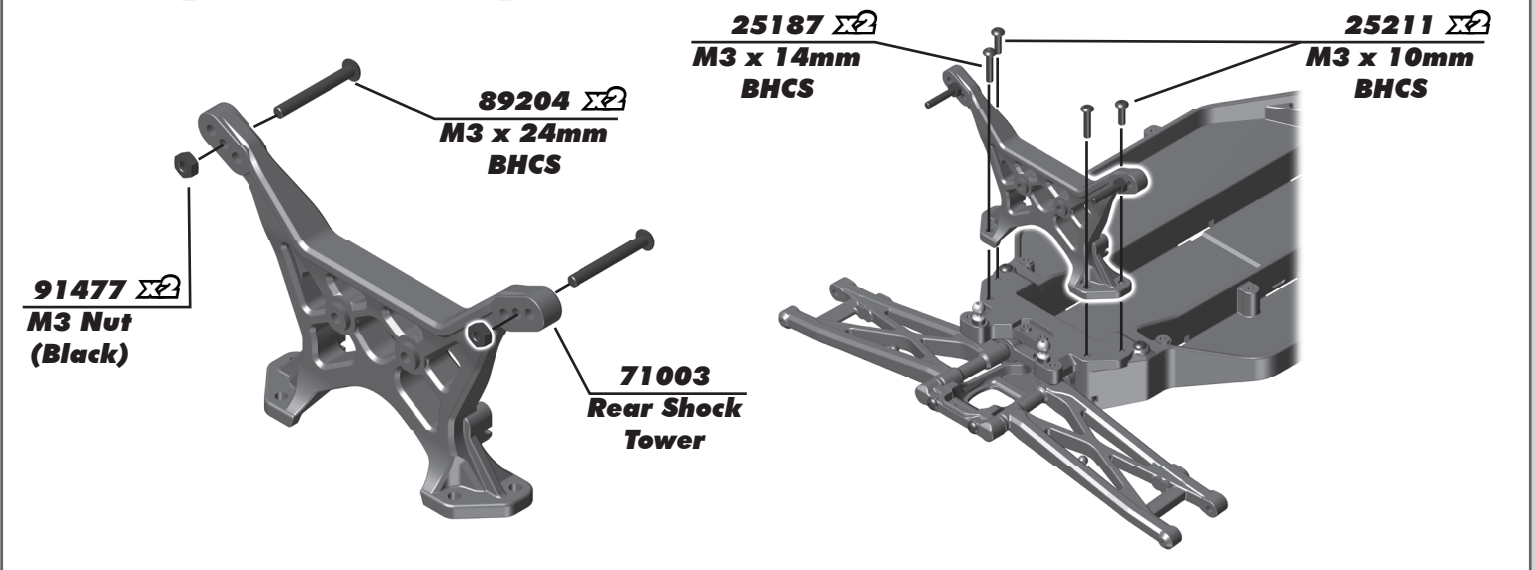
**:: Rear Suspension Build - Step 1**



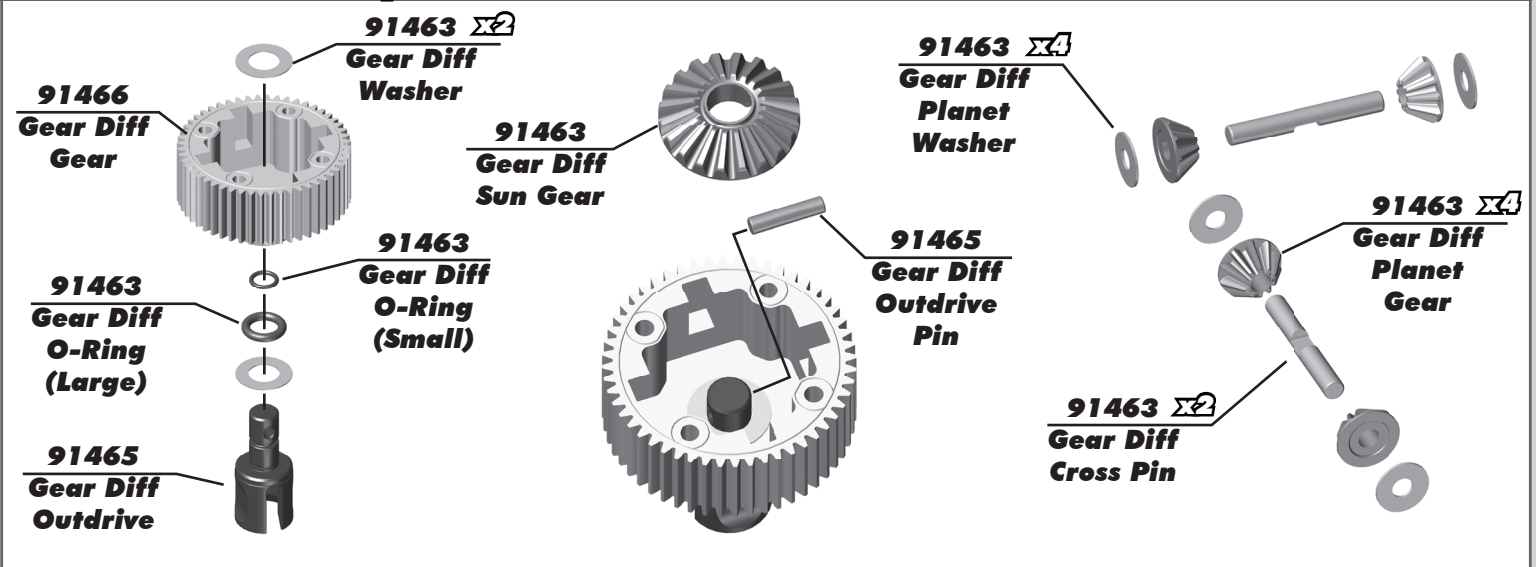
**:: Rear Suspension Build - Step 2**



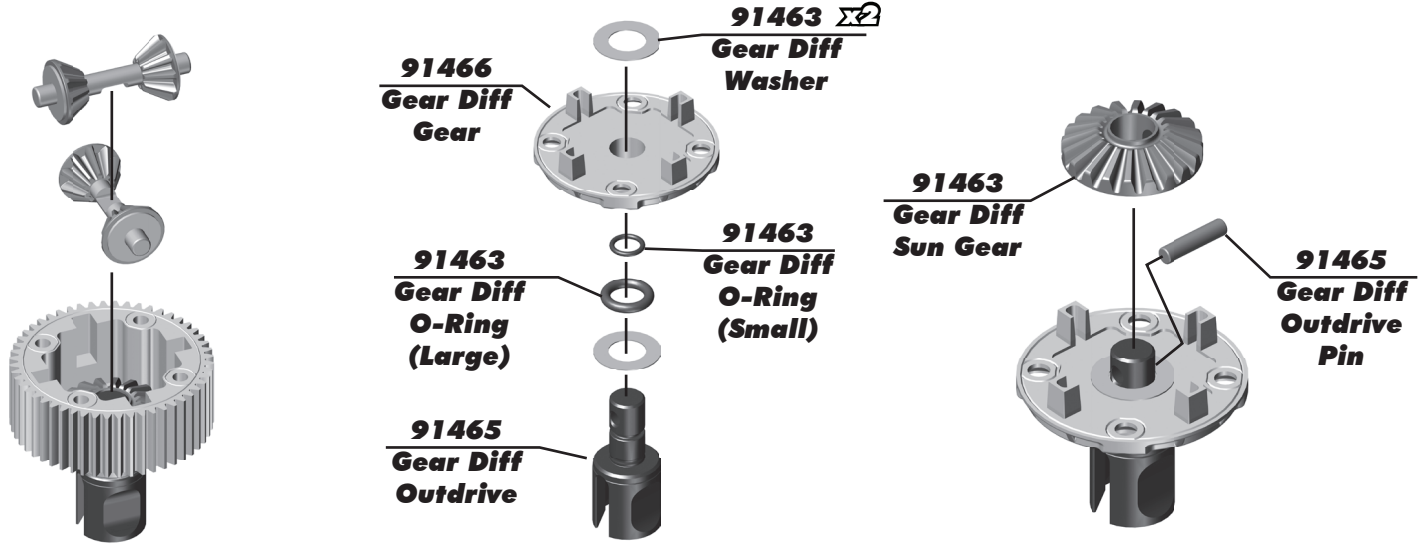
**:: Rear Suspension Build - Step 3**



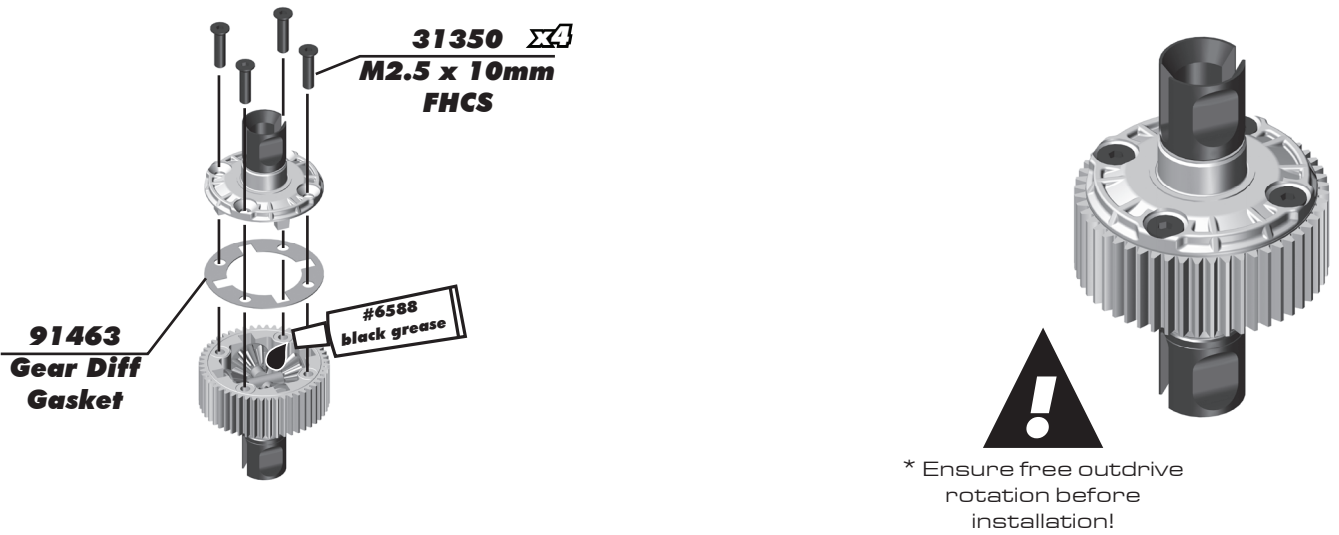
**:: Gear Diff Build - Step 1**



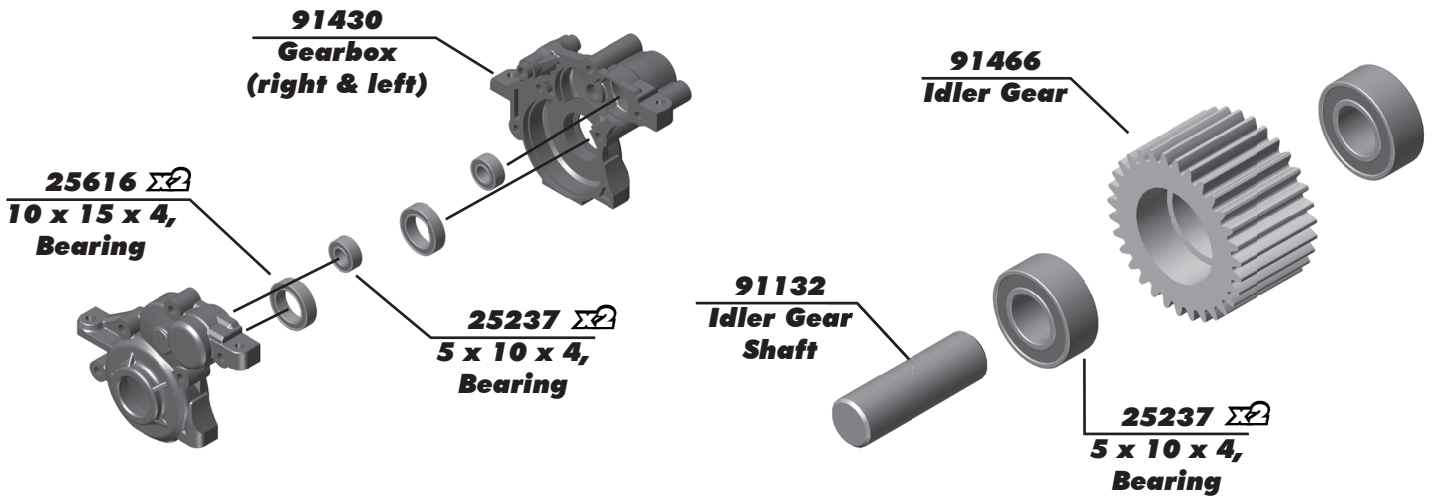
**:: Gear Diff Build - Step 2**



**:: Gear Diff Build - Step 3**



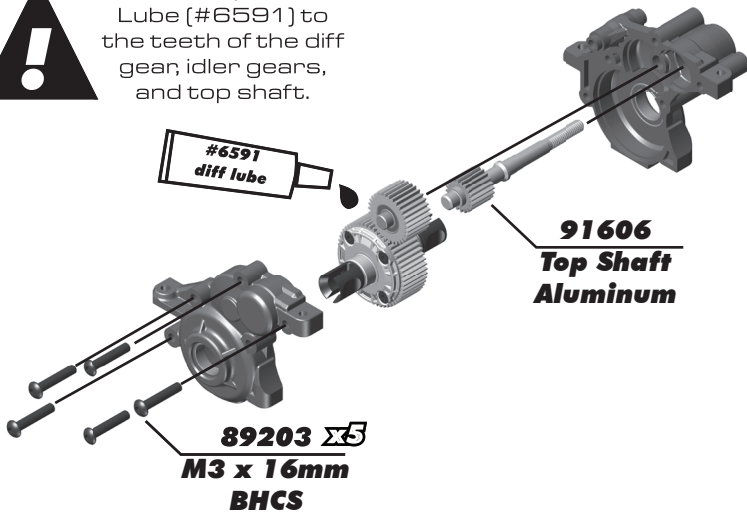
**:: Gearbox Build - Step 1**



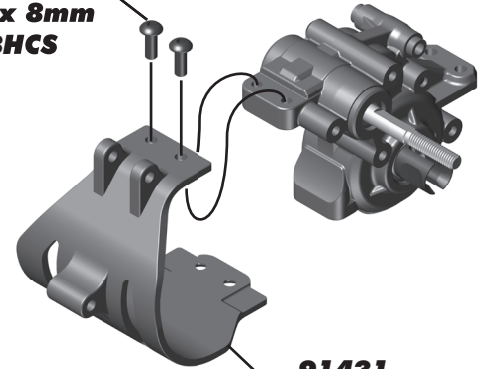
**:: Gearbox Build - Step 2**



Add a drop of Diff Lube (#6591) to the teeth of the diff gear, idler gears, and top shaft.



**31532**  $\Sigma 2$   
M3 x 8mm  
BHCS

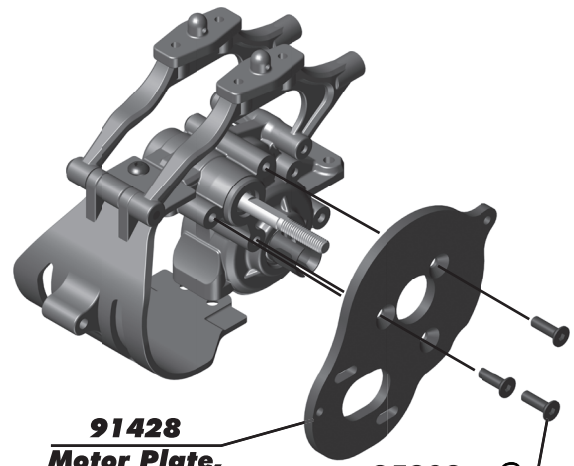
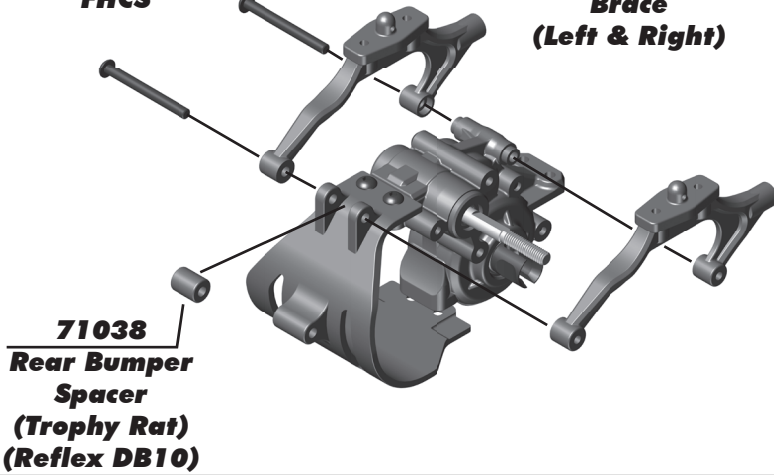


**91431**  
Motor  
Guard

**:: Gearbox Build - Step 3**

**91478**  $\Sigma 2$   
M3 x 30mm  
FHCS

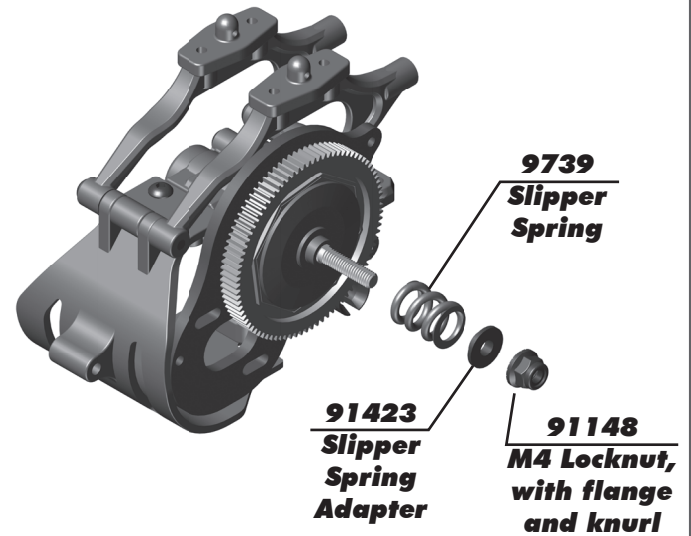
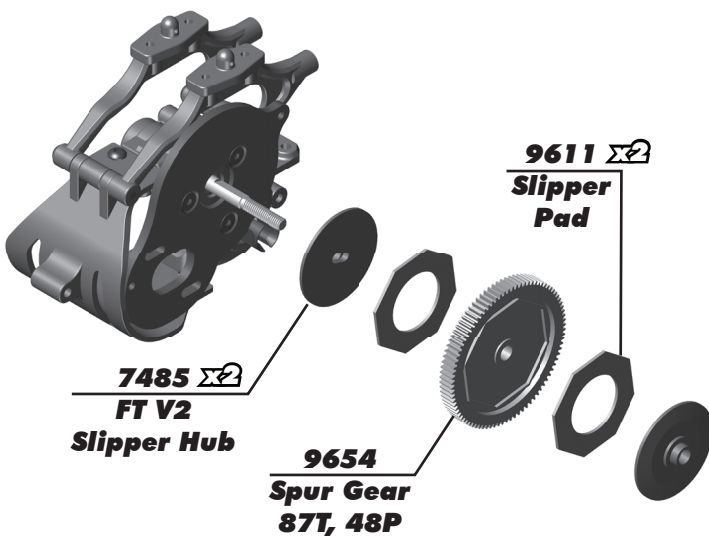
**71038**  $\Sigma 2$   
Body Mount  
Brace  
(Left & Right)



**91428**  
Motor Plate,  
Blue

**25202**  $\Sigma 3$   
M3 x 10mm  
FHCS

**:: Slipper Build - Step 1**



**7485**  $\Sigma 2$   
FT V2  
Slipper Hub

**9654**  
Spur Gear  
87T, 48P

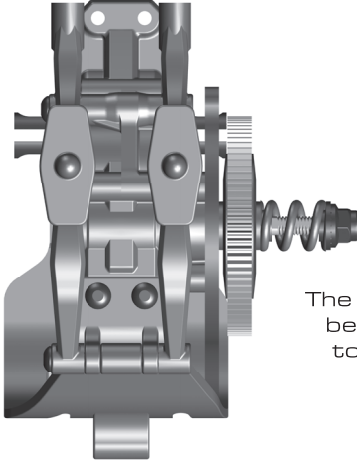
**9611**  $\Sigma 2$   
Slipper  
Pad

**9739**  
Slipper  
Spring

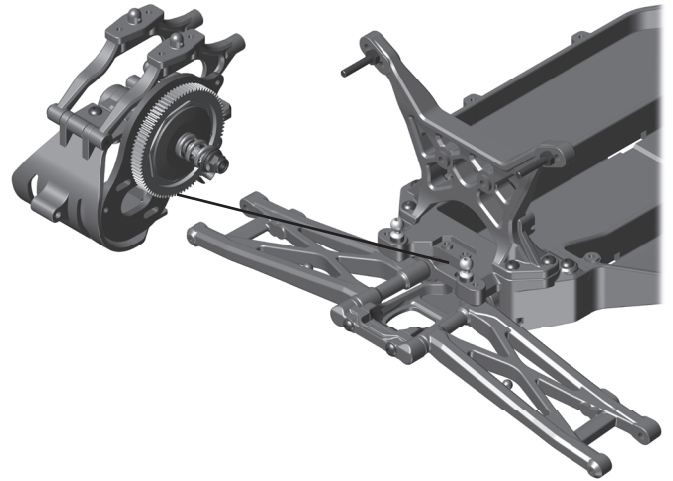
**91423**  
Slipper  
Spring  
Adapter

**91148**  
M4 Locknut,  
with flange  
and knurl

**:: Gearbox Install - Step 1**

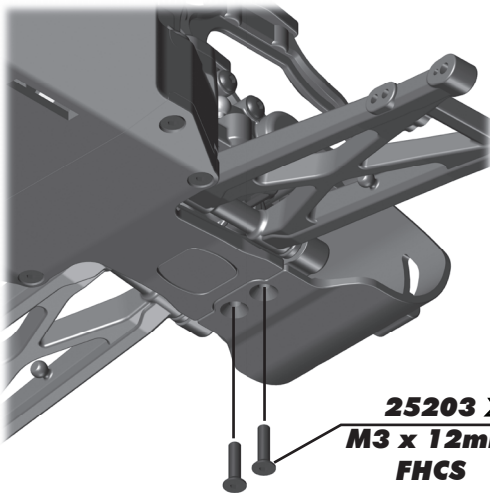


The Locknut should be flush with the top shaft when installed.



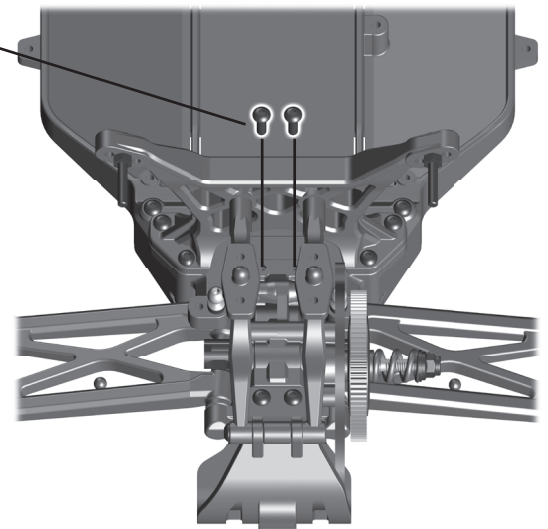
See page 23 for gear mesh, and slipper clutch setting instructions!

**:: Gearbox Install - Step 2**



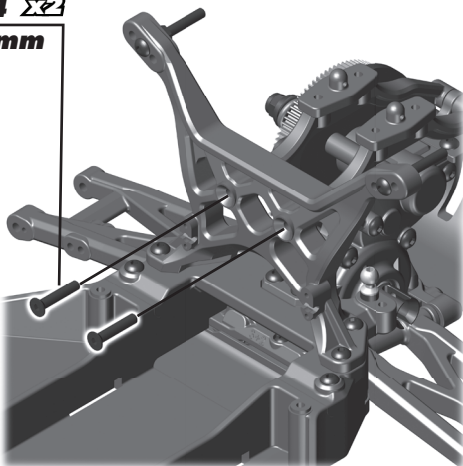
**25211**   
M3 x 10mm  
BHCS

**25203**   
M3 x 12mm  
FHCS



**:: Gearbox Install - Step 3**

**25204**   
M3 x 16mm  
FHCS

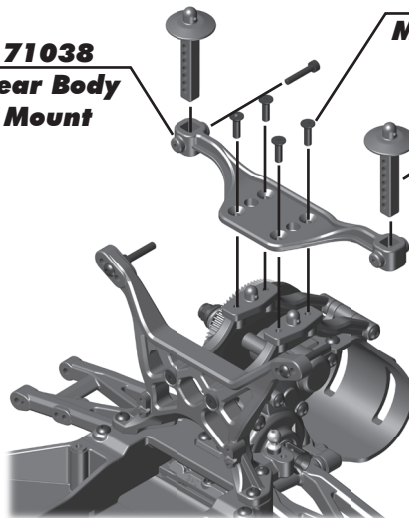


**71038**  
Rear Body  
Mount

**25202**   
M3 x 10mm  
FHCS

**71038**   
Rear Body  
Post

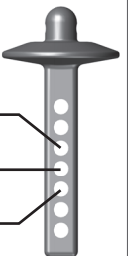
**71032**   
M2.5 x 14mm  
SHCS



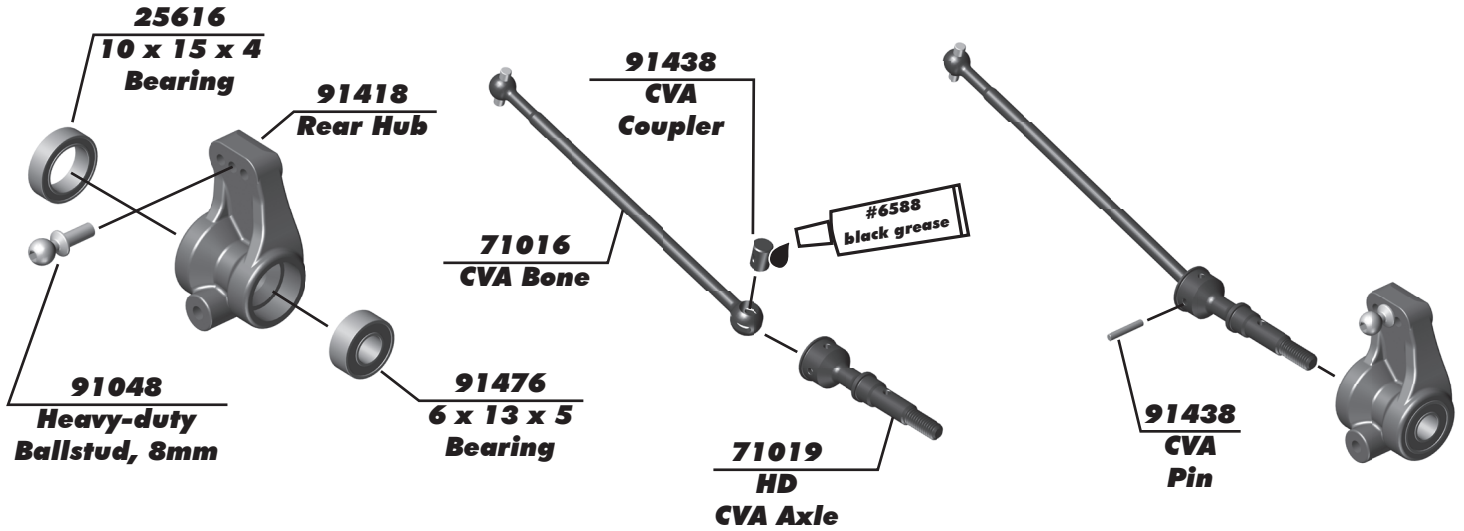
**REFLEX**

**TROPHY RAT**

**PRO SC10**



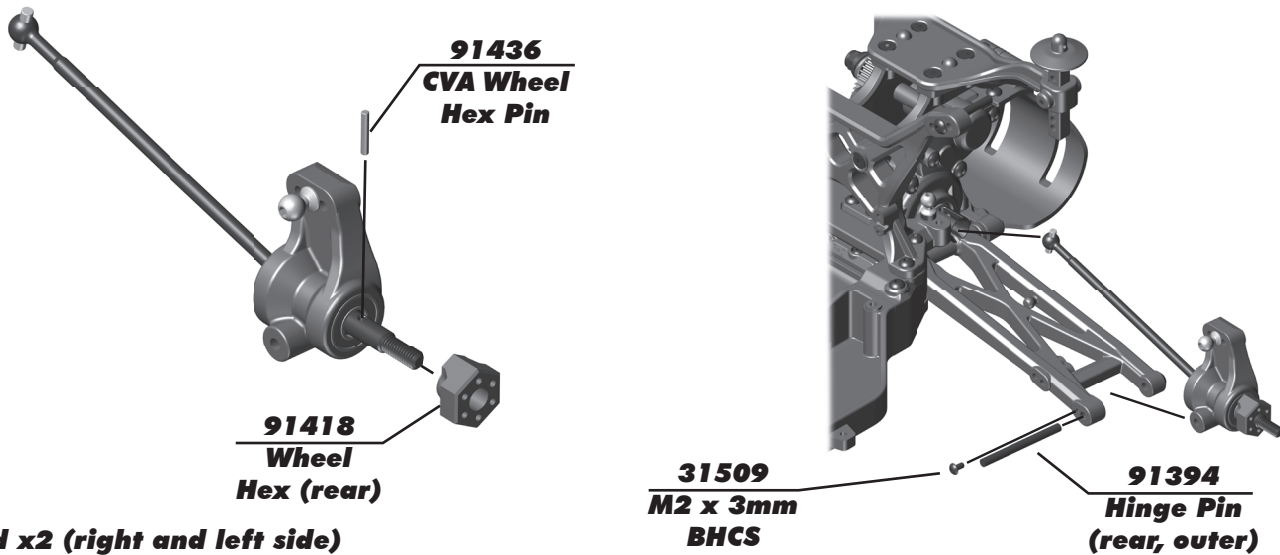
**:: Rear Hub and CVA Build - Step 1**



**Build x2 (right and left side)**

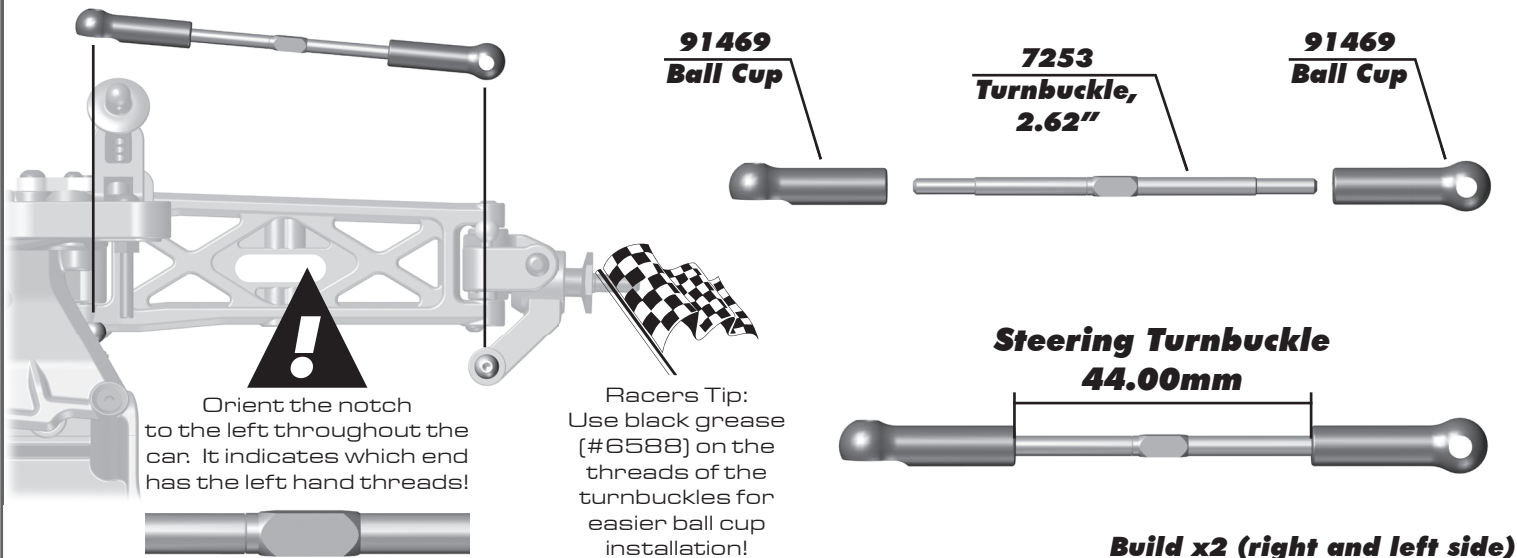
**Build x2 (right and left side)**

**:: Rear Hub and CVA Build - Step 2**



**Build x2 (right and left side)**

**:: Turnbuckles Build - Step 1**



**Build x2 (right and left side)**

**:: Turnbuckles Build - Step 2**

**!**  
Orient the notch to the left throughout the car. It indicates which end has the left hand threads!

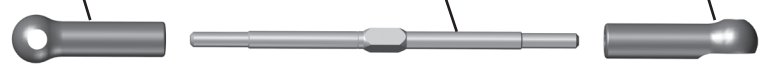
**!**  
Orient the notch to the left throughout the car. It indicates which end has the left hand threads!

**Racers Tip:**  
Use black grease (#6588) on the threads of the turnbuckles for easier ball cup installation!

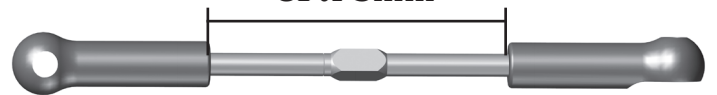
**91469**  
**Ball Cup**

**7253**  
**Turnbuckle,**  
**2.62"**

**91469**  
**Ball Cup**



**Front Camber Turnbuckle**  
**39.75mm**



**Build x2 (right and left side)**

**:: Turnbuckles Build - Step 3**

**!**  
Orient the notch to the left throughout the car. It indicates which end has the left hand threads!

**!**  
Orient the notch to the left throughout the car. It indicates which end has the left hand threads!

**Racers Tip:**  
Use black grease (#6588) on the threads of the turnbuckles for easier ball cup installation!

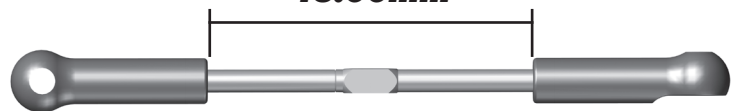
**91469**  
**Ball Cup**

**7253**  
**Turnbuckle,**  
**2.62"**

**91469**  
**Ball Cup**



**Rear Camber Turnbuckle**  
**43.00mm**



**Build x2 (right and left side)**

**:: Shocks Build - Step 1**

**91444**  
**12mm**  
**Shock Piston**

**6299**  
**1/8 E-Clip**

**91489**  
**3 x 27.5**  
**Shock Shaft**  
**(front)**

**91490**  
**3 x 35**  
**Shock Shaft**  
**(rear)**



**Racers Tip:**

Use a marker over the numbers on the pistons to make them easily visible!

**6299**  
**1/8 E-Clip**





**:: Shocks Build - Step 2**

**71051 Shock Body 12 x 27.5mm (front)**

**71052 Shock Body 12 x 36mm (rear)**


**91444 Shock Internals**

**91454 Shock Bottom Cap**


**31327 Shock Bottom Cap O-Ring**

**5407 O-Ring**

**#1105 green slime**



Lightly rub shock oil on the o-ring before installation!



Racers Tip:  
Coating the o-rings with green slime (#1105) helps seal & reduce o-ring swell! **Green slime not included in kit!**

**91491 Shock Cap O-Ring**

**91469 Shock eyelet**

**91469 Shock Pivot Ball**

**:: Shocks Build - Step 3**

**Shock fluid #5422**

**Shock fluid #5422**

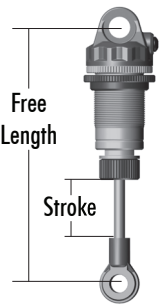
**91454 Shock Cap (Molded)**

**Front Shock: 30wt**  
**Rear Shock: 30wt**

**Step 1-3**   **Step 3-4**   **Step 5-6**   **Step 7**

**Shock Bleeding Steps:**

1. Pull shock shaft down.
2. Fill shock body 3/4 full with silicone fluid.
3. Slowly move the shock shaft up and down to remove air from under piston.
4. Wait for bubbles to come to surface.
5. Fill shock body to top with silicone fluid.
6. Place a drop of oil in the cap and on cap threads.
7. Install cap and tighten completely.
8. Slowly compress shaft all the way to the top. If there is pressure at the top of the stroke, there is too much oil or air. You must bleed it out.
9. Slowly pull shaft out.
10. Unscrew the cap 3/4 turn and tilt the shock at a slight angle.
11. Slowly compress the shaft to push out excess oil and air. You should see bubbles coming out from under the cap.
12. With the shaft compressed, tighten the cap and re-check for pressure at the top of the stroke. If there is still pressure, repeat steps 9 thru 11.



Free Length

Stroke

**Stroke**  
**Front: 26.0mm**  
**Rear: 35mm**

**Free Length**  
**Front: 86.25mm**  
**Rear: 103.50mm**

**Step 9-10**





**:: Shocks Build - Step 4**

**71054 Pre Load Spacers**

**71054 Spring Collar**

**91636 12mm front spring (54mm), White (4.10lb)**

**91639 12mm rear spring (72mm), Green (2.20lb)**

| Pre-Load Spacers |   |
|------------------|---|
| 1mm              |  |
| 2mm              |  |
| 3mm              |  |
| 5mm              |  |

**Front Shocks**   **Rear Shocks**

**91454 Spring Cup**

**Build x2 front and x2 rear shocks**

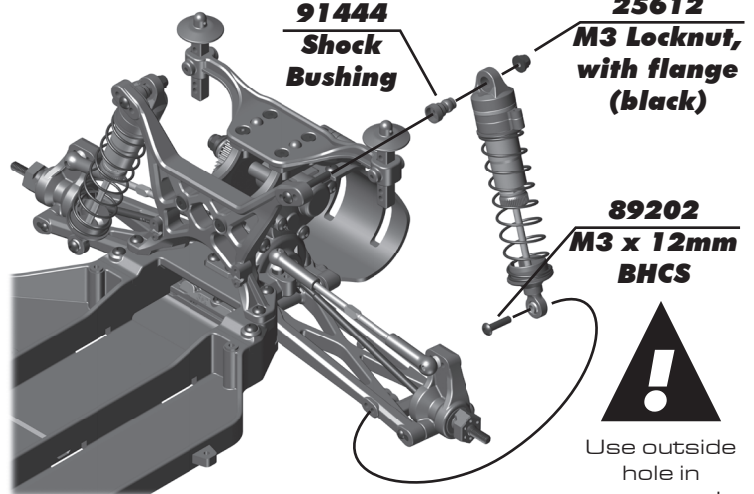
**:: Shocks Build - Step 5**



Use outside hole in front arm!



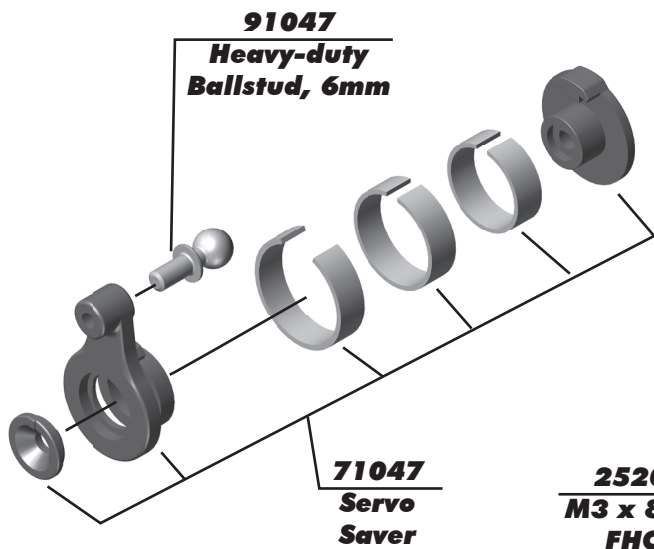
**Build x2 (right and left side)**



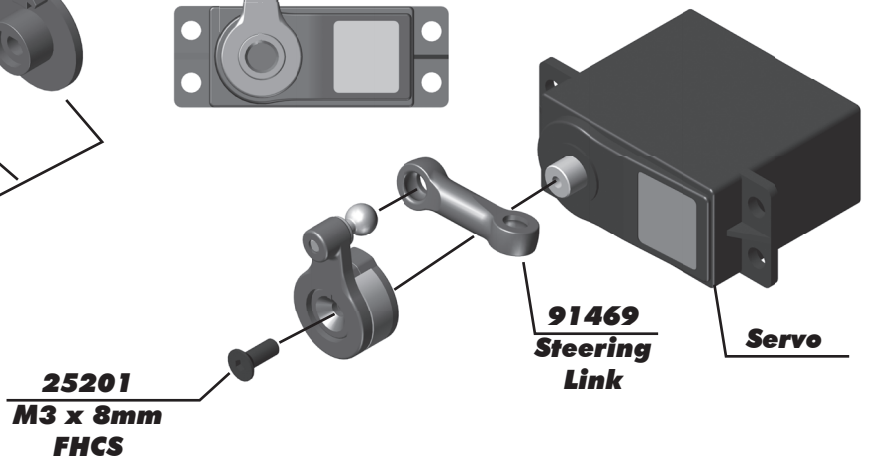
Use outside hole in rear arm!

**Build x2 (right and left side)**

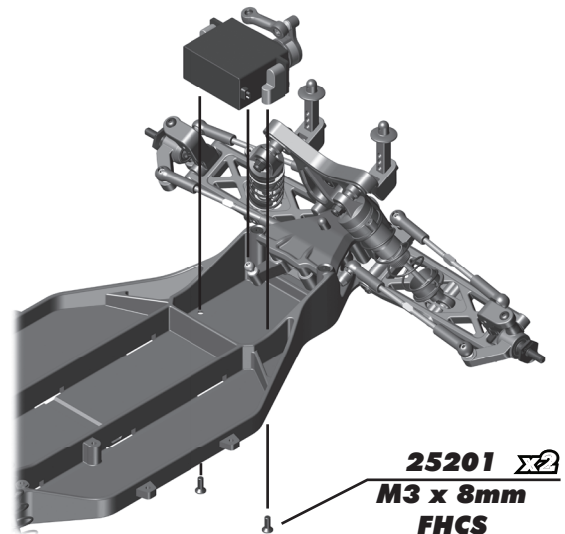
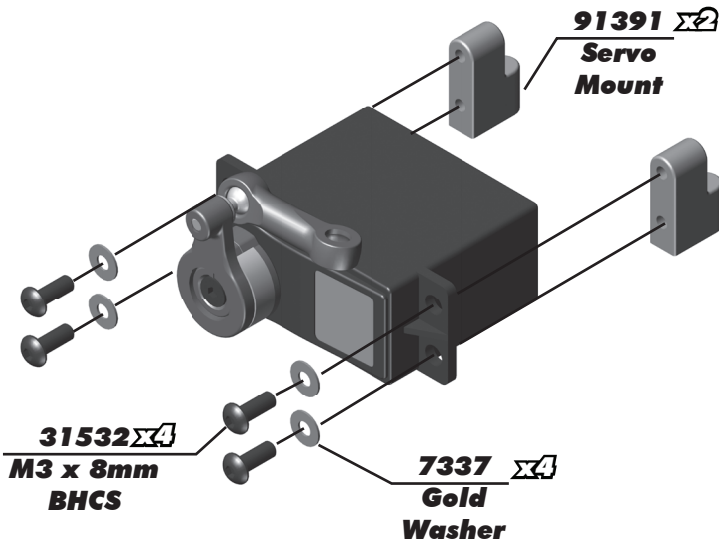
**:: Electronics Build - Step 1**



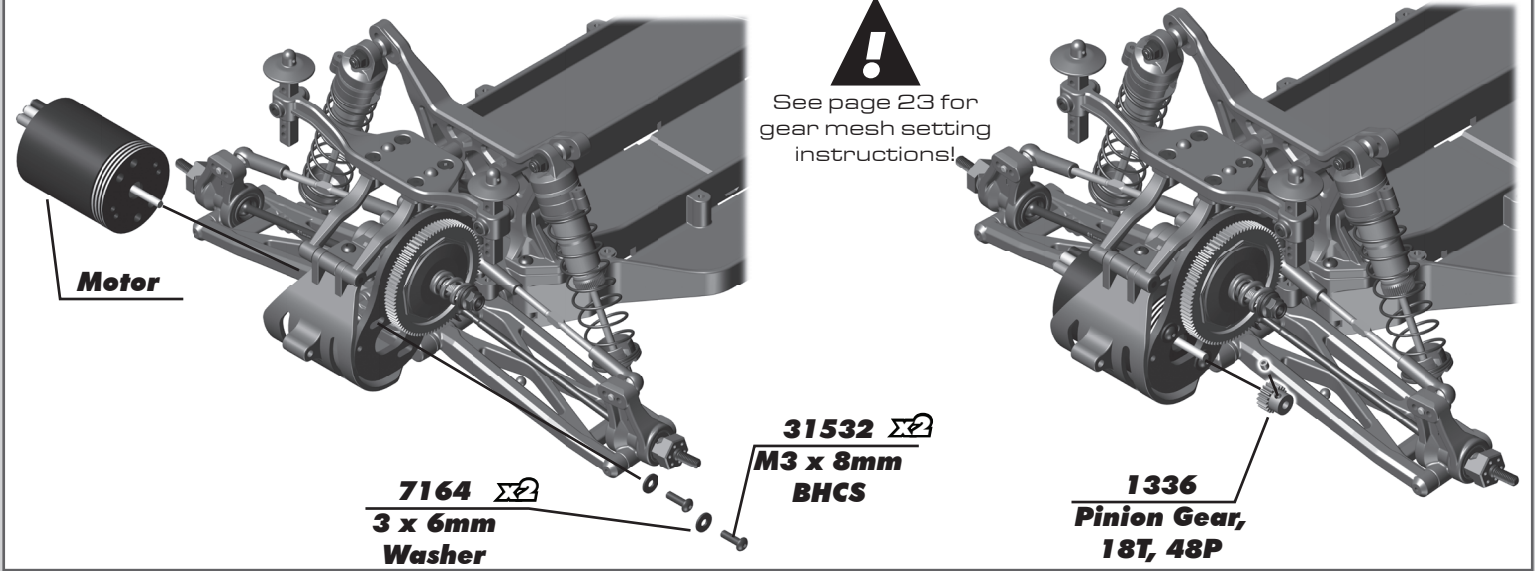
Align the servo horn 90 degrees. Adjust steering trim once vehicle is complete.



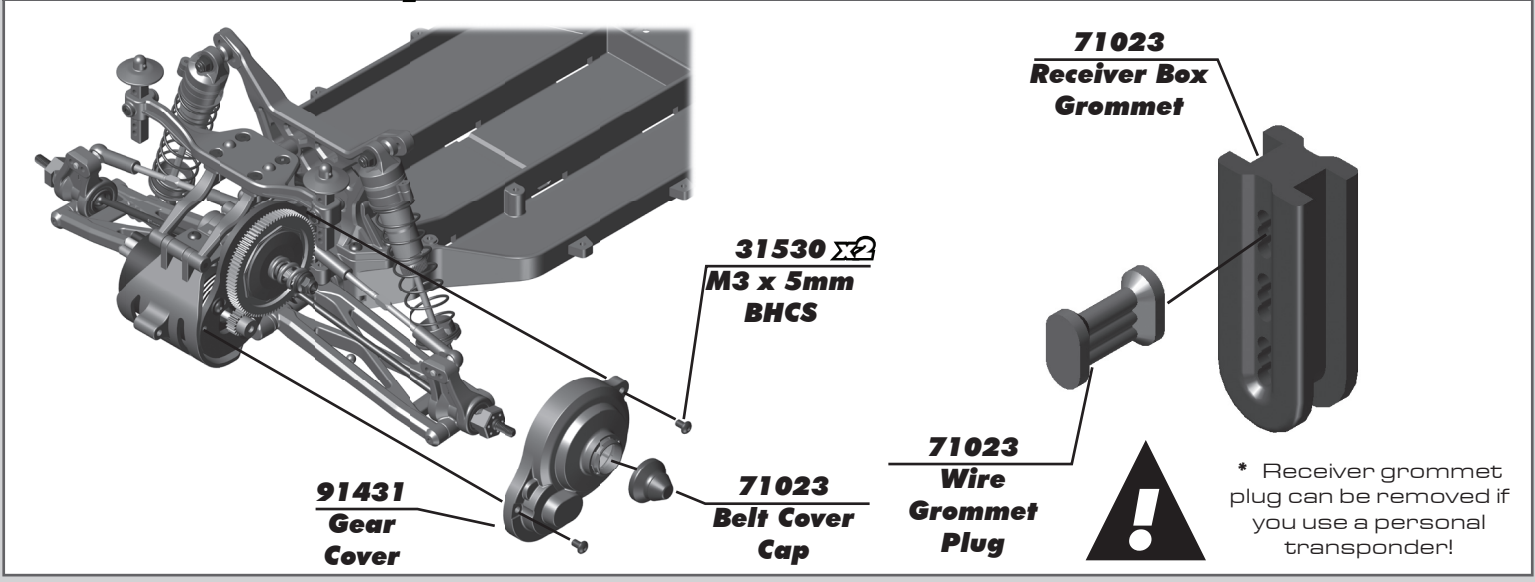
**:: Electronics Build - Step 2**



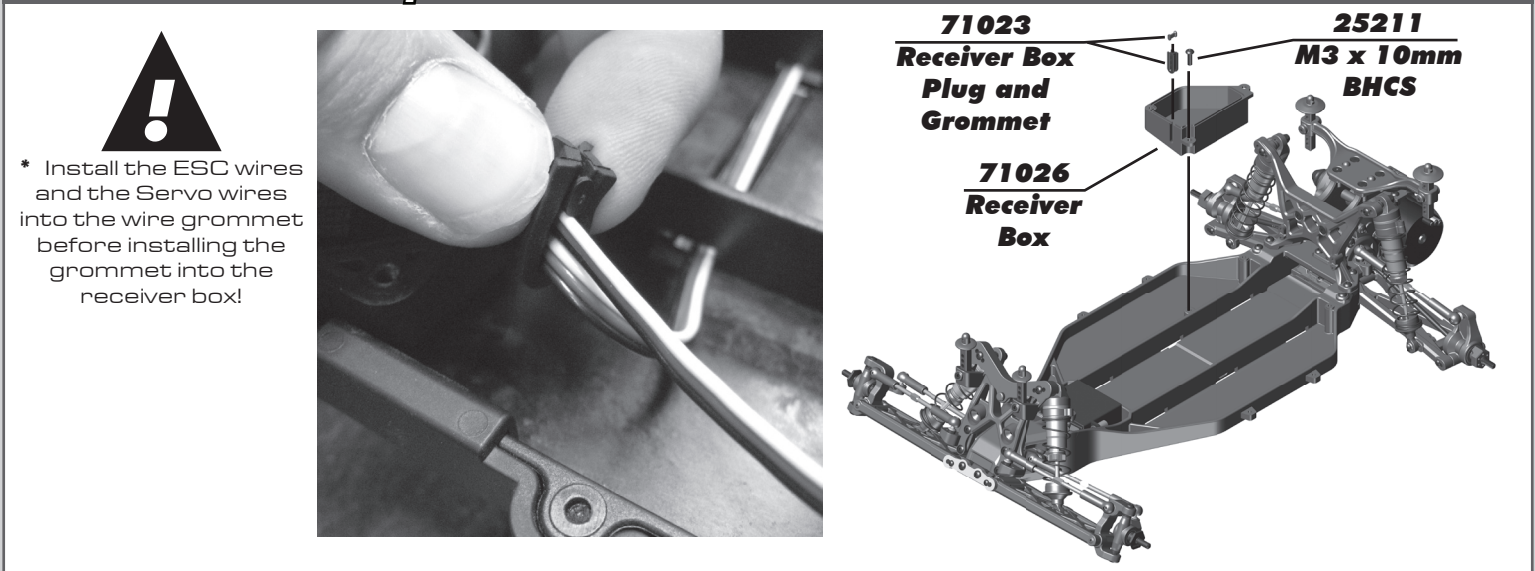
**:: Electronics Build - Step 3**



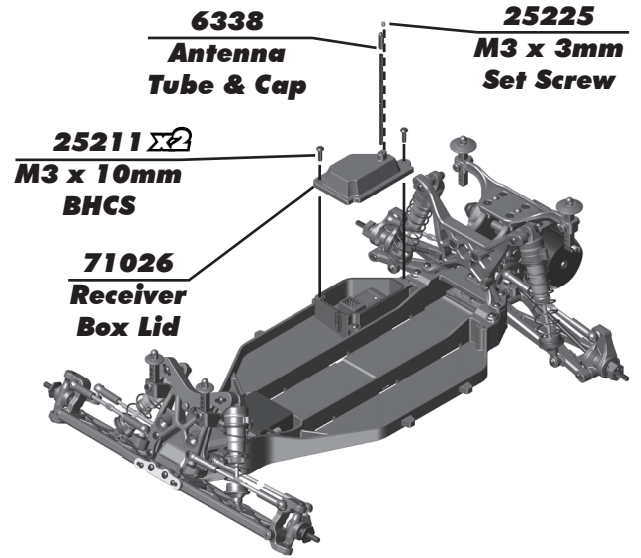
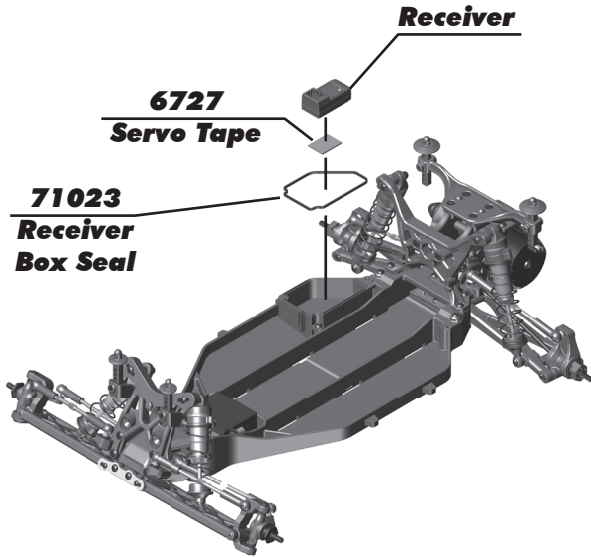
**:: Electronics Build - Step 4**



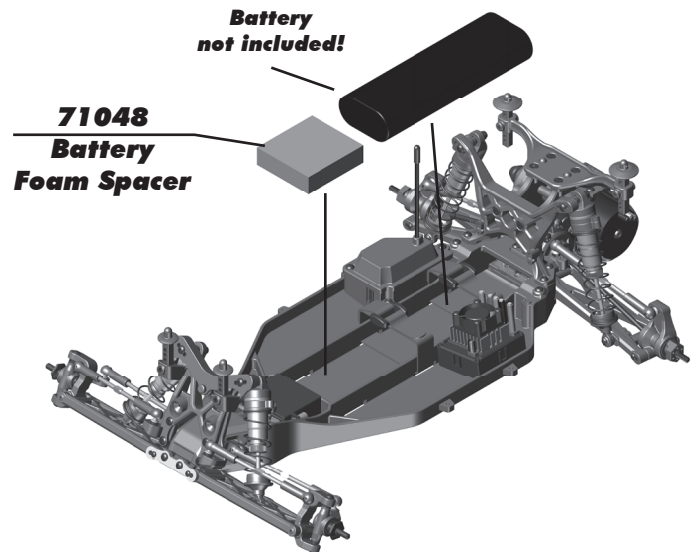
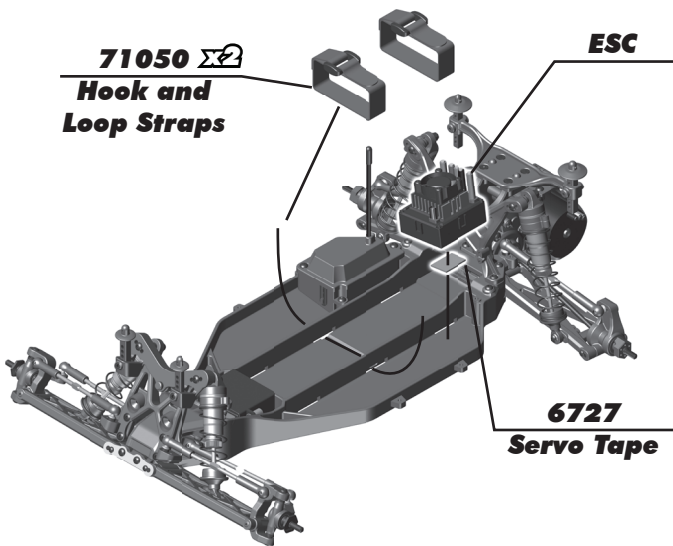
**:: Electronics Build - Step 5**



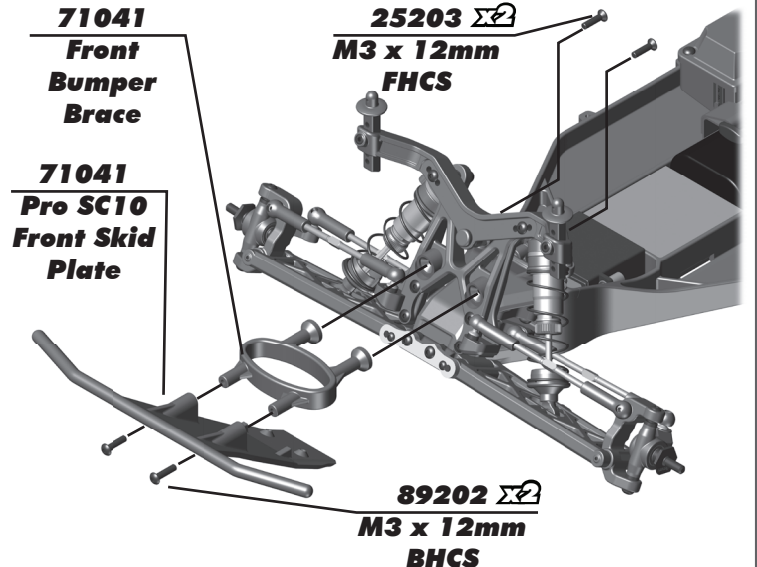
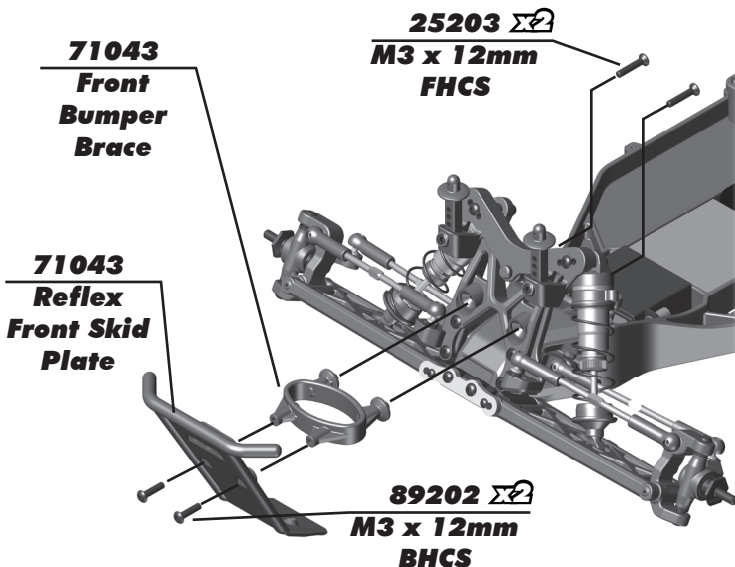
**:: Electronics Build - Step 6**



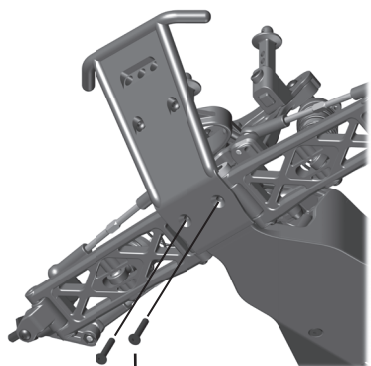
**:: Electronics Build - Step 7**



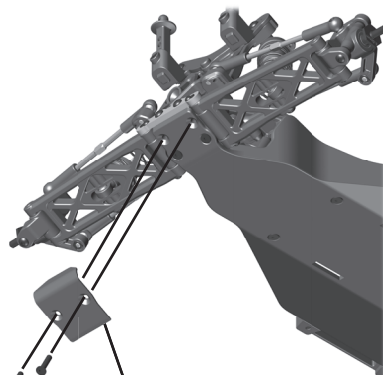
**:: Bumper and Chassis Braces Build - Step 1**



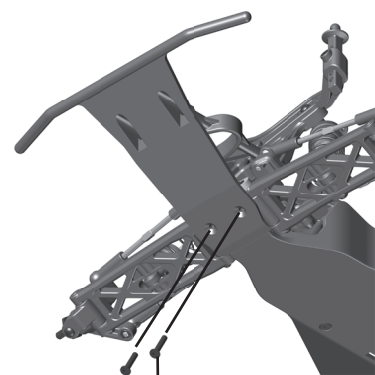
**:: Bumper and Chassis Braces Build - Step 2**



**25204**  $\times 2$   
M3 x 16mm  
FHCS

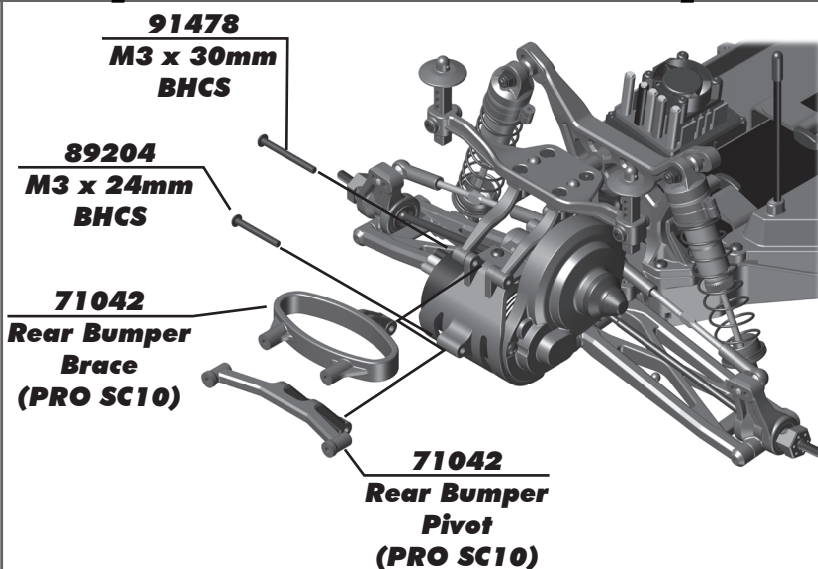


**71043**  
Front Bumper  
(Trophy Rat)  
**25204**  $\times 2$   
M3 x 16mm  
FHCS



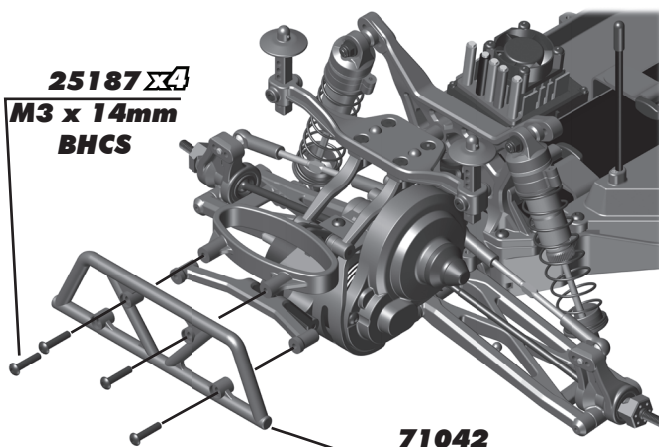
**25204**  $\times 2$   
M3 x 16mm  
FHCS

**:: Bumper and Chassis Braces Build - Step 3**



**91478**  
M3 x 30mm  
BHCS  
**89204**  
M3 x 24mm  
BHCS  
**71042**  
Rear Bumper  
Brace  
(PRO SC10)

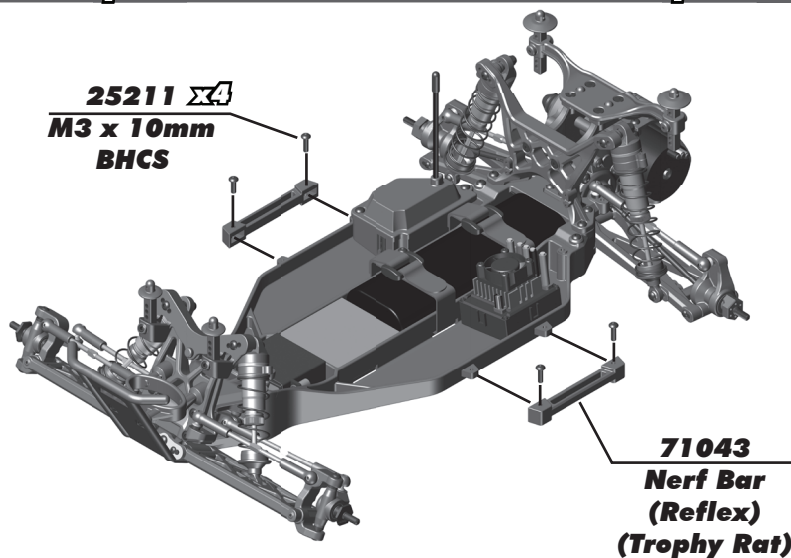
**71042**  
Rear Bumper  
Pivot  
(PRO SC10)



**25187**  $\times 4$   
M3 x 14mm  
BHCS

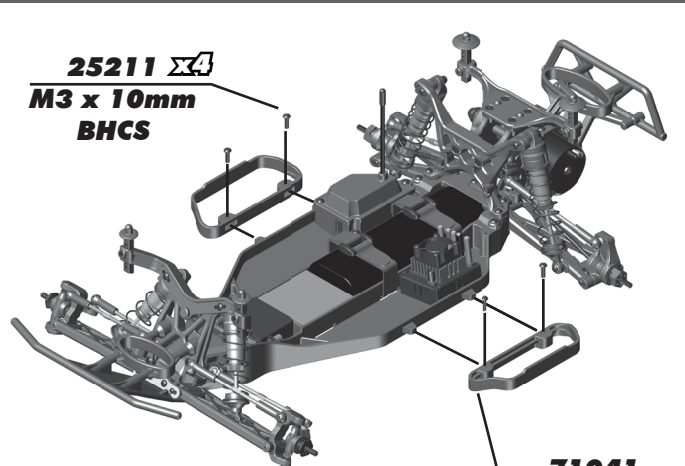
**71042**  
Rear Bumper  
(PRO SC10)

**:: Bumper and Chassis Braces Build - Step 4**



**25211**  $\times 4$   
M3 x 10mm  
BHCS

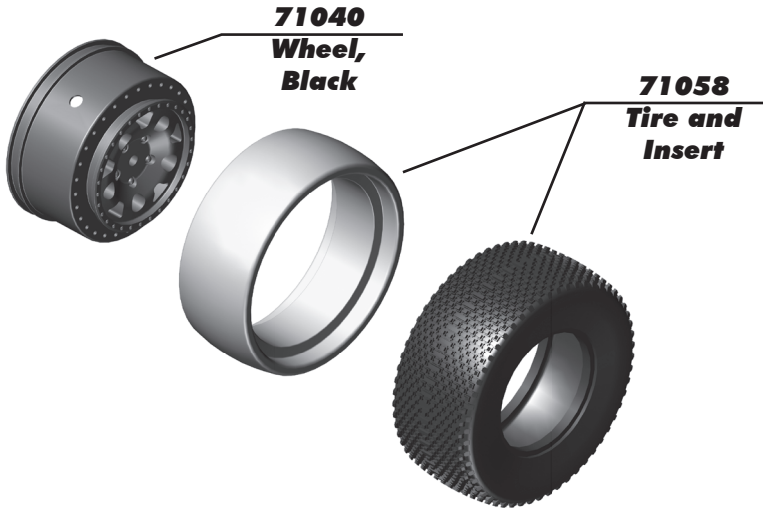
**71043**  
Nerf Bar  
(Reflex)  
(Trophy Rat)



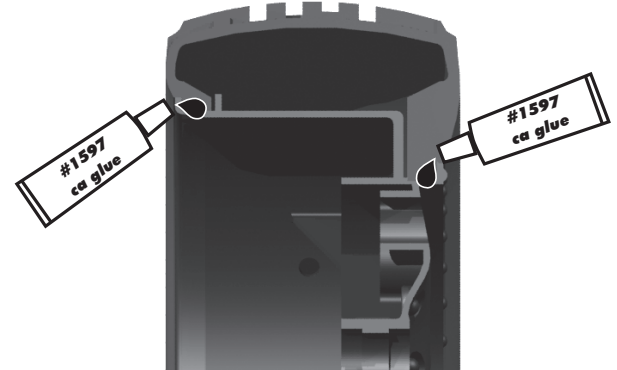
**25211**  $\times 4$   
M3 x 10mm  
BHCS

**71041**  
Nerf Bar  
(PRO SC10)

**:: Tires and Body Build - Step 1**

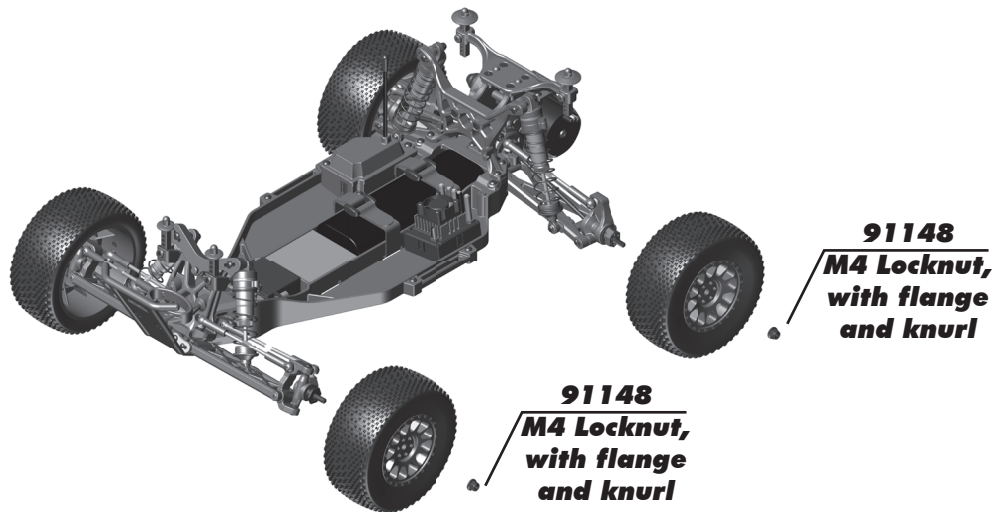


Clean the tire and wheel bead. Carefully apply CA glue (tire adhesive) to the tire bead on both sides. Do one side at a time, allow it to dry before gluing the other side!  
**CA glue not included!**

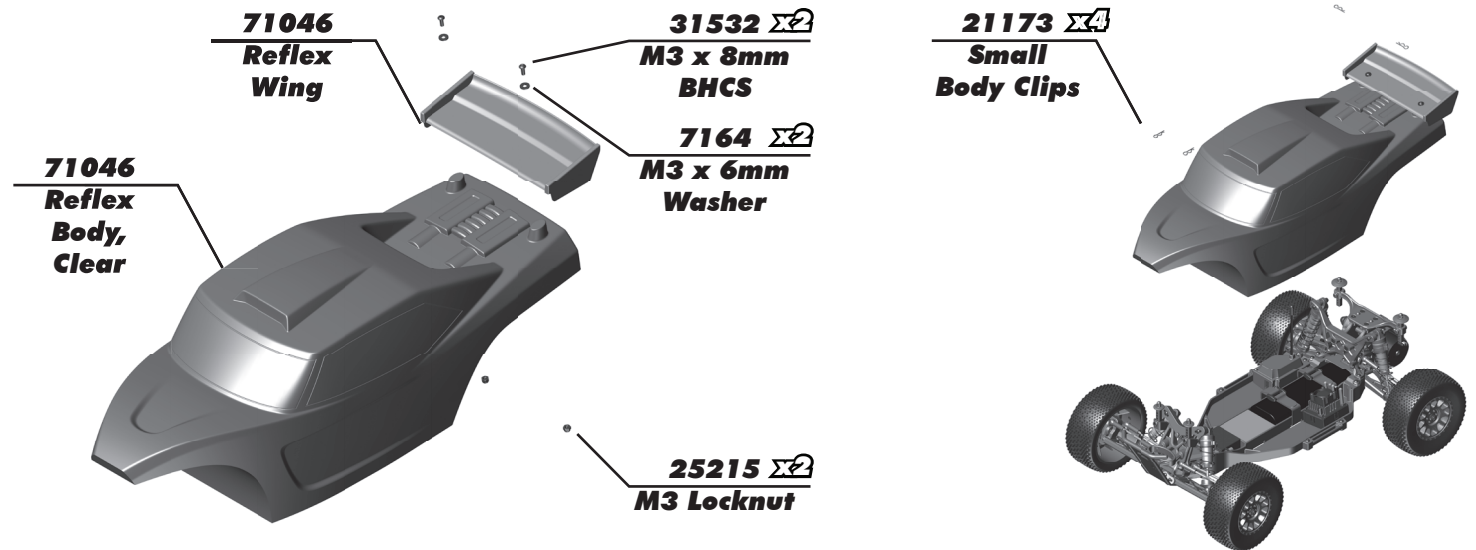


**Build x4**

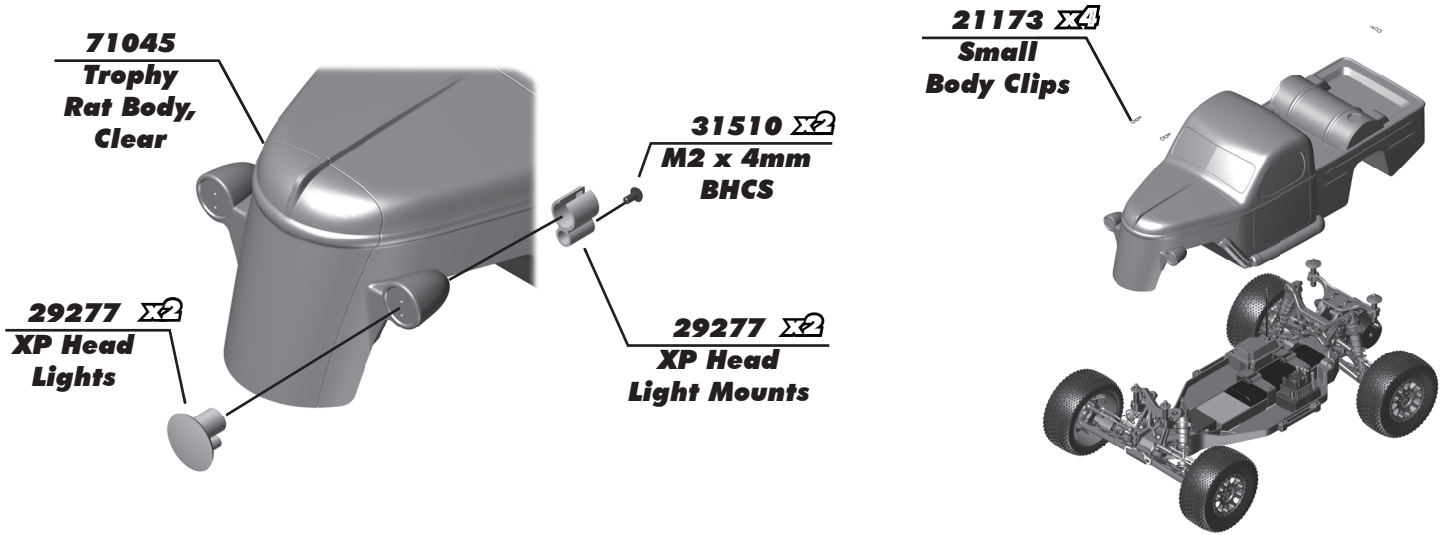
**:: Tires and Body Build - Step 2**



**:: Tires and Body Build - Step 3**



**:: Tires and Body Build - Step 4**



**:: Tuning Tips**

**Tips for Beginners:**

Before making any changes to the standard setup, make sure you can get around the track without crashing. Changes to your vehicle will not be beneficial if you can't stay on the track. Your goal is consistent laps.

Once you can get around the track consistently, start tuning your vehicle. Make only ONE adjustment at a time, testing it before making another change. If the result of your adjustment is a faster lap, mark the change on the included setup sheet (make additional copies of the sheet before writing on it). If your adjustment results in a slower lap, revert back to the previous setup and try another change.

When you are satisfied with your vehicle, fill in the setup sheet thoroughly and file it away. Use this as a guide for future track days or conditions. Periodically check all moving suspension parts. Suspension components must be kept clean and move freely without binding to prevent poor and/or inconsistent handling.

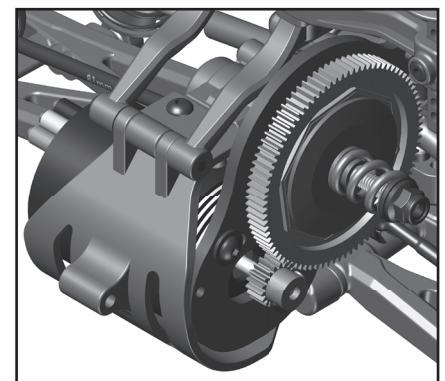
**Motor Gearing:**

Proper motor gearing will result in maximum performance and run time while reducing the chance of overheating and premature motor failure. The gear ratio chart lists recommended **starting gear ratios** for the most widely used motor types. Gear ratios will vary depending upon motor brand, wind, and electronic speed control. Consult your motor and electronic speed control manufacturers for more information. Team Associated is not responsible for motor damage due to improper gearing.

**Gear Ratio Chart (Internal Gear Ratio 2.60:1)**

| Motor                      | Pinion | Spur | Final Drive Ratio |
|----------------------------|--------|------|-------------------|
| 17.5 Reedy Sonic Brushless | *28    | *75  | 6.96:1            |
| 13.5 Reedy Sonic Brushless | *26    | *75  | 7.50:1            |
| 10.5 Reedy Sonic Brushless | *24    | 87   | 9.42:1            |
| 3300kV Brushless           | 18     | 87   | 12.57:1           |

**\* Optional spur gear / pinion used**



**Set The Gear Mesh:**

You should be able to rock the spur gear back and forth in the teeth of the pinion gear without making the pinion gear move. If the spur gear mesh is tight, then loosen the #31532 screws and move the motor away, then try again. A gear mesh that is too tight or too loose will reduce power and damage the gear teeth.

## :: Tuning Tips (cont.)

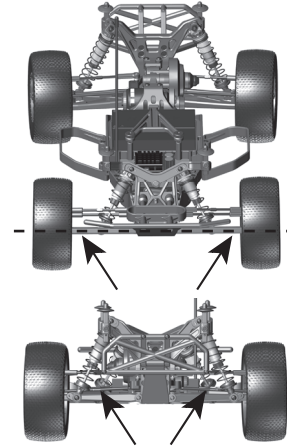
### Slipper Clutch:

The assembly instructions give you a base setting for your clutch. Turn the nut on the shaft so that the end of the top shaft is flush with the nut. At the track, tighten or loosen the nut in 1/8 turn increments until you hear a faint slipping sound for 1-2 feet on takeoffs. Another popular way to set the clutch is to hold both rear tires firmly in place and apply short bursts of throttle. If the clutch is properly set, the front tires should lift slightly up off the surface.

### Ride Height:

Ride height is the distance from the ground to the bottom of the chassis. The standard front ride height setting is with the front arms level (referred to as "arms level") or 30mm (Ride Height Gauge # 1449). Check the ride height by lifting up the entire car about 8-12 inches off the bench and drop it. After the suspension "settles" into place, measure ride height (Ride Height Gauge # 1449). Add or Remove pre-load spacers as necessary so that the left & right arms appear to be level.

The rear ride height setting you should use most often is with the outdrive, driveshaft, and axles all on the same imaginary horizontal line (referred to as "bones level") or 28mm (Ride Height Gauge # 1449). Check the ride height by lifting up the entire car about 8-12 inches off the bench and drop it. After the suspension "settles" into place, measure ride height (Ride Height Gauge # 1449). Add or Remove pre-load spacers as necessary so that the left & right driveshafts appear to be level.

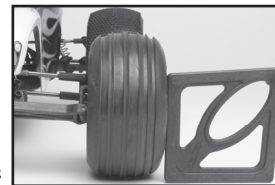


**!**  
\*Front arms inner and outer hinge pins should be in a imaginary horizontal line when ride height is set

**!**  
\*CVA bones should be in a straight line when ride height is set at "CVA bones level"

### Front Camber:

Camber describes the angle at which the tire and wheel rides when looked at from the front. Negative camber means that the tire leans inward at the top. A good starting camber setting is -1°. Positive camber, where the top of the tire is leaning out, is not recommended. Optional # 1719 camber gauge can be used to more accurately set camber.



**!**  
\*Testing camber with camber gauge

### Rear Camber:

Camber describes the angle at which the tire and wheel rides when looked at from the back. Negative camber means that the tire leans inward at the top. A good starting camber setting is -1°. Adding a small amount of positive camber, where the top of the tire is leaning out, will tend to improve straight-line acceleration on loose tracks. Optional # 1719 camber gauge can be used to more accurately set camber.

### Front Camber Links:

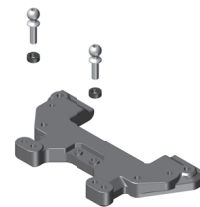
Changing the length of the camber link is considered a bigger step than adjusting the ball end height on the tower. Shortening the camber link (or lowering the ball end) will give the front end less roll and quicken steering response. Lengthening the camber link (or raising the ball end) will give the front more roll and slower steering response. Longer camber links are typically used on high grip tracks and shorter links tend to work better on medium-grip loose tracks.



**!**  
\*Raise or lower the ball end by adding or subtracting washers here

### Rear Camber Link:

Changing the length of the camber link is considered a bigger step than adjusting the ball end height on the rear chassis brace. Shortening the camber link (or lowering the ball end) will give the rear end less roll and the car will tend to accelerate or "square up" better. Lengthening the camber link (or raising the ball end) will give the rear more roll and more cornering grip. Longer camber links are typically used on high grip tracks, while shorter links tend to work better on medium grip loose tracks. The kit setting is the best compromise of cornering grip and acceleration.



**!**  
\*Raise or lower the ball end by adding or subtracting washers here

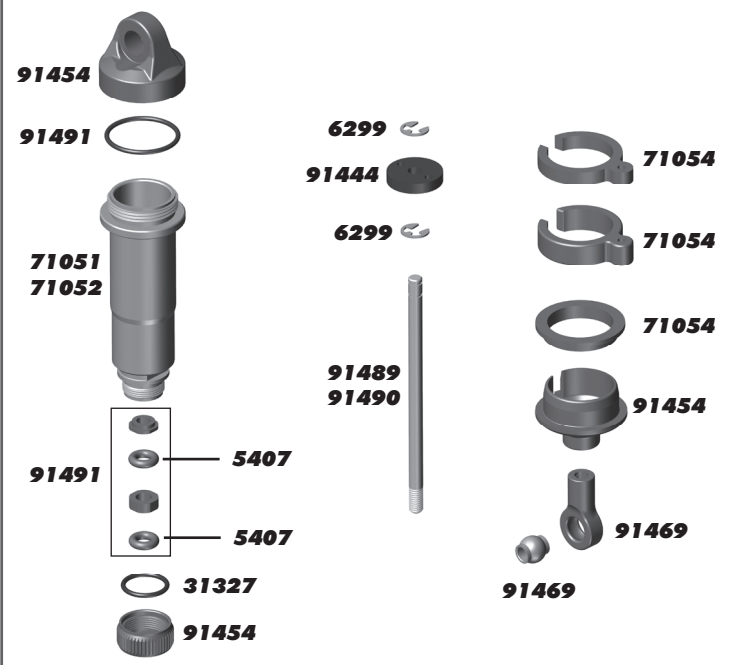
### Ackermann:

Ackermann is the angle difference between the front wheels when they are turned to steer the car. For minimal tire slip, it is standard for the inside wheel to steer to a greater angle than the outside wheel. The SC5M allows ackermann adjustments by changing the washer thickness used behind the steering rack ballstuds. The kit setup uses 2mm washers and is most common for racing conditions. If corner entry steering is too aggressive, try increasing the ackermann by removing shims from behind the steering rack ballstuds. Increasing the ackermann will increase the angle difference of the front wheels when steered, resulting in a more stable car on corner entry.



**:: Shocks**

|       |                              |       |
|-------|------------------------------|-------|
| 5407  | Red O-Rings                  | 8     |
| 6299  | E-Clip                       | 12    |
| 31327 | FT VCS3 Shock Bottom Caps    | 2     |
| 71051 | Shock Body 12 x 27.5mm       | 2     |
| 71052 | Shock Body 12 x 36mm         | 2     |
| 71054 | Spring Clips and Retainer    | 1     |
| 91444 | Shock Accessories Set        | 1     |
| 91454 | Shock Caps and Spring Cups   | 4 ea. |
| 91469 | Shock Pivot Ball and Rod End | 4     |
| 91489 | 27.5 x 3MM Shock Shaft       | 2     |
| 91490 | 35 x 3MM Shock Shaft         | 2     |
| 91491 | 12MM V2 Shock Rebuild Kit    | 1     |



**:: Shock Springs**

|       |                                   |   |
|-------|-----------------------------------|---|
| 91635 | 12mm Front Spring (54mm) GRN 3.75 | 2 |
| 91636 | 12mm Front Spring (54mm) WHT 4.10 | 2 |
| 91637 | 12mm Front Spring (54mm) GRY 4.45 | 2 |
| 91639 | 12mm Rear Spring (72mm) GRN 2.20  | 2 |
| 91640 | 12mm Rear Spring (72mm) WHT 2.40  | 2 |
| 91641 | 12mm Rear Spring (72mm) GRY 2.60  | 2 |



**:: Shock Fluid**

|      |                                  |      |
|------|----------------------------------|------|
| 5420 | 10 Weight Silicone Shock Fluid   | 2oz. |
| 5421 | 20 Weight Silicone Shock Fluid   | 2oz. |
| 5422 | 30 Weight Silicone Shock Fluid   | 2oz. |
| 5423 | 40 Weight Silicone Shock Fluid   | 2oz. |
| 5424 | 22.5 Weight Silicone Shock Fluid | 2oz. |
| 5425 | 80 Weight Silicone Shock Fluid   | 2oz. |
| 5426 | 27.5 Weight Silicone Shock Fluid | 2oz. |
| 5427 | 15 Weight Silicone Shock Fluid   | 2oz. |
| 5428 | 25 Weight Silicone Shock Fluid   | 2oz. |
| 5429 | 35 Weight Silicone Shock Fluid   | 2oz. |
| 5430 | 45 Weight Silicone Shock Fluid   | 2oz. |
| 5431 | 55 Weight Silicone Shock Fluid   | 2oz. |
| 5432 | 32.5 Weight Silicone Shock Fluid | 2oz. |
| 5433 | 37.5 Weight Silicone Shock Fluid | 2oz. |
| 5434 | 42.5 Weight Silicone Shock Fluid | 2oz. |
| 5435 | 50 Weight Silicone Shock Fluid   | 2oz. |
| 5436 | 60 Weight Silicone Shock Fluid   | 2oz. |
| 5437 | 70 Weight Silicone Shock Fluid   | 2oz. |
| 5438 | 47.5 Weight Silicone Shock Fluid | 2oz. |



**:: Lubes & Adhesives / Misc.**

|      |                           |   |
|------|---------------------------|---|
| 1105 | FT Green Slime Shock Lube | 1 |
| 1596 | FT Locking Adhesive       | 1 |
| 1597 | FT Tire Adhesive          | 1 |
| 6588 | Black Grease - 4cc        | 1 |
| 6591 | Diff Lube - 4cc           | 1 |
| 6636 | Silicone Grease - 4cc     | 1 |
| 6727 | Servo Tape                | 2 |

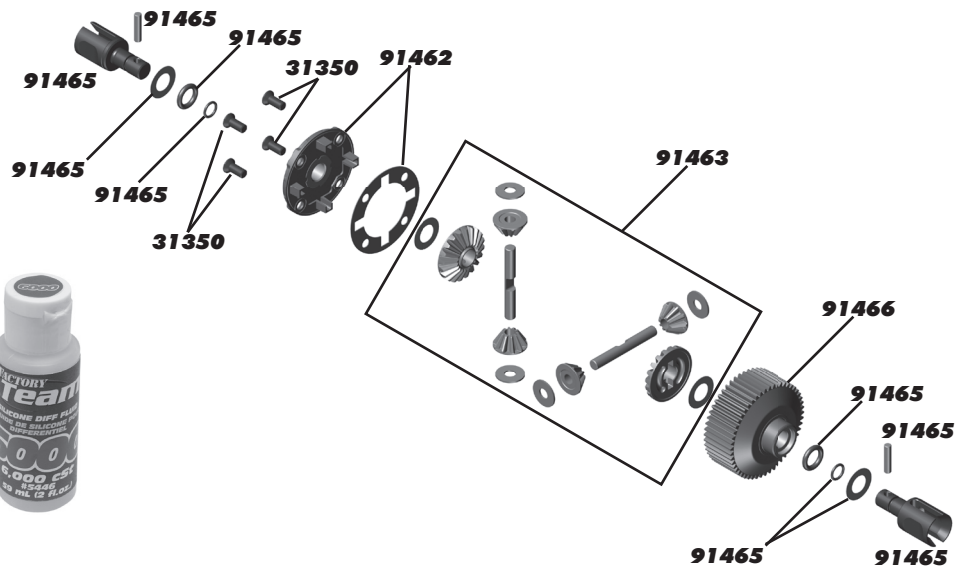


**:: Gear Differential**

|       |                         |   |
|-------|-------------------------|---|
| 31350 | M2.5 x 10 FHCS          | 6 |
| 91462 | Gear Diff Gear, Cover   | 1 |
| 91463 | Gear Diff Rebuild       | 1 |
| 91465 | Gear Diff Outdrives, B5 | 2 |
| 91466 | Diff and Idler Gears    | 1 |

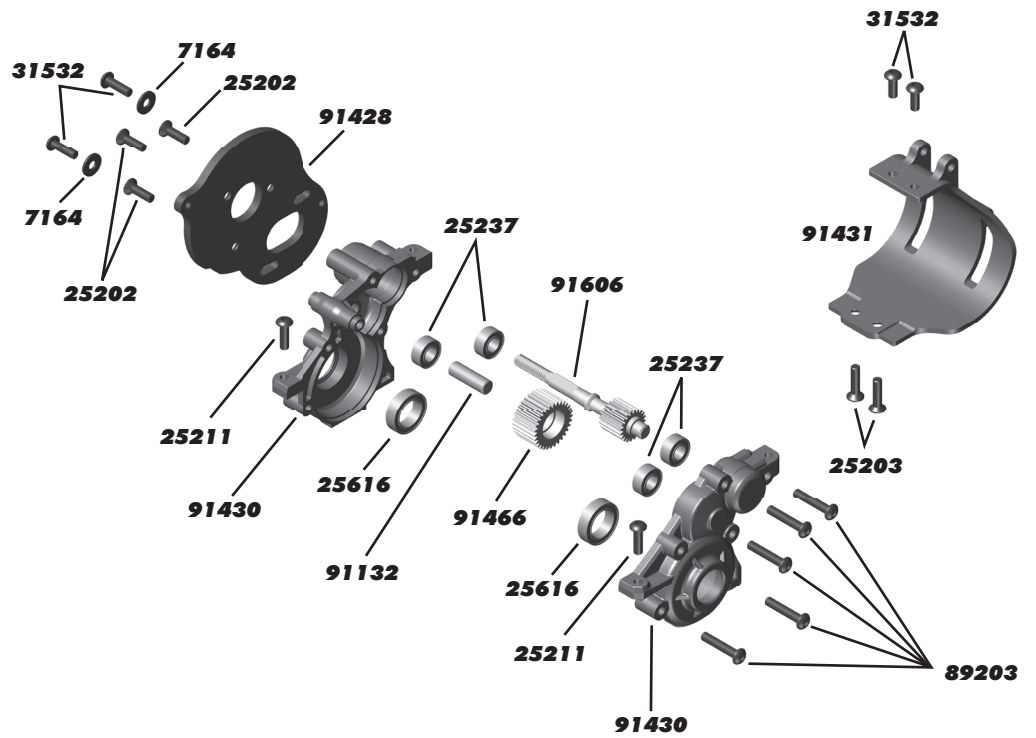
**:: Differential Fluids**

|      |                                  |   |
|------|----------------------------------|---|
| 5444 | Silicone Diff Fluid 4,000CST     | 1 |
| 5446 | Silicone Diff Fluid 6,000CST     | 1 |
| 5447 | Silicone Diff Fluid 15,000CST    | 1 |
| 5448 | Silicone Diff Fluid 80,000CST    | 1 |
| 5450 | Silicone Diff Fluid 1,000CST     | 1 |
| 5451 | Silicone Diff Fluid 2,000CST     | 1 |
| 5452 | Silicone Diff Fluid 3,000CST     | 1 |
| 5453 | Silicone Diff Fluid 5,000CST     | 1 |
| 5454 | Silicone Diff Fluid 7,000CST     | 1 |
| 5455 | Silicone Diff Fluid 10,000CST    | 1 |
| 5456 | Silicone Diff Fluid 20,000CST    | 1 |
| 5457 | Silicone Diff Fluid 30,000CST    | 1 |
| 5458 | Silicone Diff Fluid 60,000CST    | 1 |
| 5459 | Silicone Diff Fluid 100,000CST   | 1 |
| 5461 | Silicone Diff Fluid 200,000CST   | 1 |
| 5463 | Silicone Diff Fluid 500,000CST   | 1 |
| 5464 | Silicone Diff Fluid 1,000,000CST | 1 |



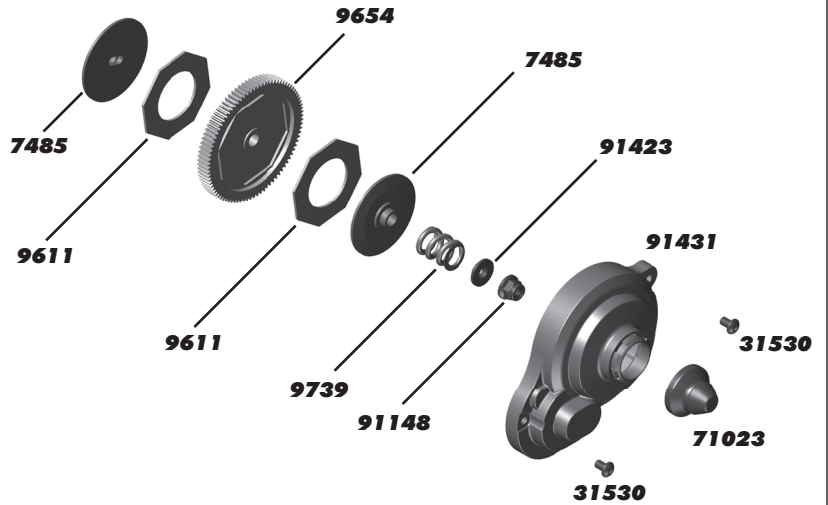
**:: Transmission**

|       |                          |     |
|-------|--------------------------|-----|
| 7164  | M3 x 6mm Washer          | 10  |
| 25202 | M3 x 10mm FHCS           | 10  |
| 25203 | M3 x 12mm FHCS           | 10  |
| 25211 | M3 x 10mm BHCS           | 10  |
| 25237 | Bearing, 5 x 10 x 4      | 2   |
| 25616 | Bearing, 10 x 15 x 4     | 2   |
| 31532 | M3 x 8mm BHCS            | 10  |
| 89203 | M3 x 16mm BHC            | 10  |
| 91132 | 4x4 Idler Gear Shaft     | 1   |
| 91428 | Motor Plate (Blue), B5   | 1   |
| 91430 | Gearbox                  | Pr. |
| 91431 | Gear Cover / Motor Guard | 1   |
| 91466 | Diff and Idler Gear      | 1   |
| 91606 | Aluminum Top Shaft V2    | 1   |



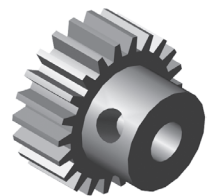
**:: Slipper Clutch**

|       |                                |    |
|-------|--------------------------------|----|
| 7485  | FT V2 Slipper Hubs             | 2  |
| 9611  | Slipper Pad                    | 2  |
| 9648  | 69T 48P Spur Gear              | 1  |
| 9649  | 72T 48P Spur Gear              | 1  |
| 9650  | 75T 48P Spur Gear              | 1  |
| 9651  | 81T 48P Spur Gear              | 1  |
| 9652  | 78T 48P Spur Gear              | 1  |
| 9653  | 84T 48P Spur Gear              | 1  |
| 9654  | 87T 48P Spur Gear (Kit)        | 1  |
| 9739  | Slipper Spring                 | 1  |
| 31530 | M3 x 5 BHCS                    | 10 |
| 71023 | Belt Cover Cap                 | 2  |
| 91148 | M4 Locknut, w/flange and knurl | 4  |
| 91423 | Slipper Spring Adapter         | 2  |
| 91431 | Gear Cover (Black)             | 1  |



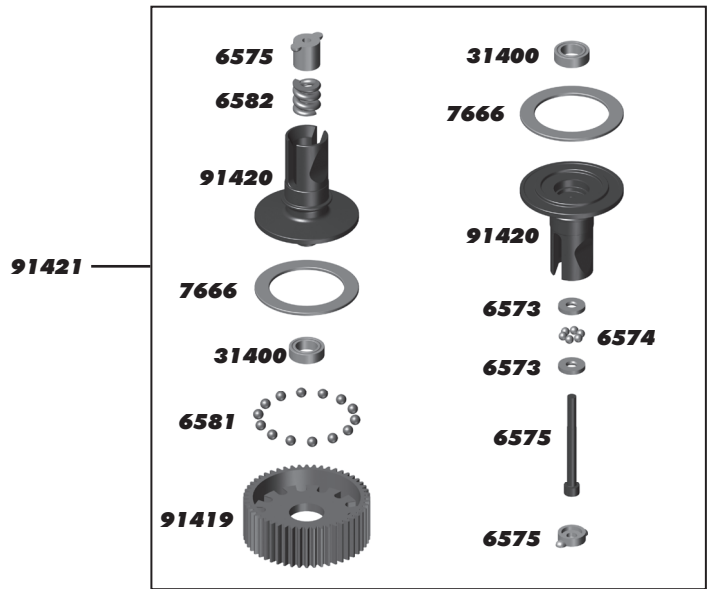
**:: Pinion Gears**

|      |                              |   |       |                              |    |
|------|------------------------------|---|-------|------------------------------|----|
| 1335 | 17T 48P Aluminum Pinion Gear | 1 | 1349  | 31T 48P Aluminum Pinion Gear | 1  |
| 1336 | 18T 48P Aluminum Pinion Gear | 1 | 1350  | 32T 48P Aluminum Pinion Gear | 1  |
| 1337 | 19T 48P Aluminum Pinion Gear | 1 | 1351  | 33T 48P Aluminum Pinion Gear | 1  |
| 1338 | 20T 48P Aluminum Pinion Gear | 1 | 1352  | 34T 48P Aluminum Pinion Gear | 1  |
| 1339 | 21T 48P Aluminum Pinion Gear | 1 | 1353  | 35T 48P Aluminum Pinion Gear | 1  |
| 1340 | 22T 48P Aluminum Pinion Gear | 1 | 25225 | M3 x 3mm Set Screw           | 20 |
| 1341 | 23T 48P Aluminum Pinion Gear | 1 |       |                              |    |
| 1342 | 24T 48P Aluminum Pinion Gear | 1 |       |                              |    |
| 1343 | 25T 48P Aluminum Pinion Gear | 1 |       |                              |    |
| 1344 | 26T 48P Aluminum Pinion Gear | 1 |       |                              |    |
| 1345 | 27T 48P Aluminum Pinion Gear | 1 |       |                              |    |
| 1346 | 28T 48P Aluminum Pinion Gear | 1 |       |                              |    |
| 1347 | 29T 48P Aluminum Pinion Gear | 1 |       |                              |    |
| 1348 | 30T 48P Aluminum Pinion Gear | 1 |       |                              |    |



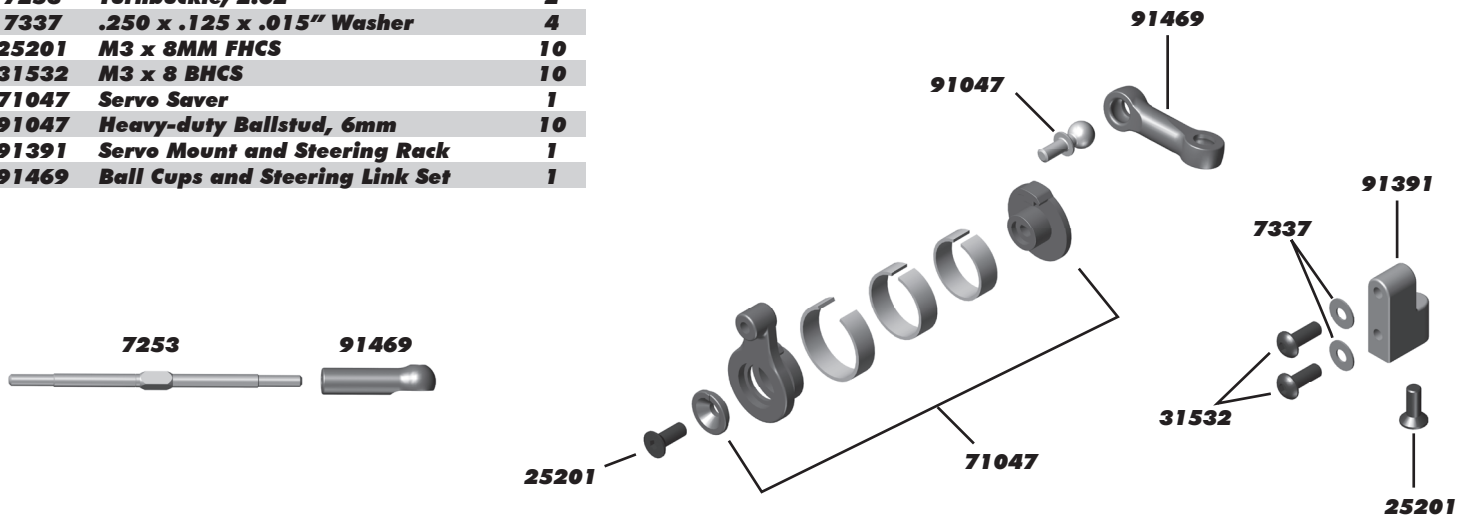
### :: Optional Ball Differential

|       |  |       |
|-------|--|-------|
| 6573  | Diff Thrust Washer & Bolt                | 2     |
| 6574  | Precision Diff Thrust Balls, 5/64"       | 6     |
| 6575  | Locking T-Nut, Diff Thrust Bolt, & Cover | 1     |
| 6581  | 3/32" Carbide Diff Balls                 | 14    |
| 6582  | Diff Thrust Spring                       | 1     |
| 7666  | Diff Drive Rings, 2.60:1                 | 2     |
| 7677  | Ball Diff Rebuild Kit                    | 1     |
| 31400 | Bearing, 5 x 8mm                         | 2     |
| 91419 | Diff Gear, B5                            | 1     |
| 91420 | Ball Diff Outdrive, B5                   | 1 ea. |
| 91421 | Ball Diff Kit, B5                        | 1     |



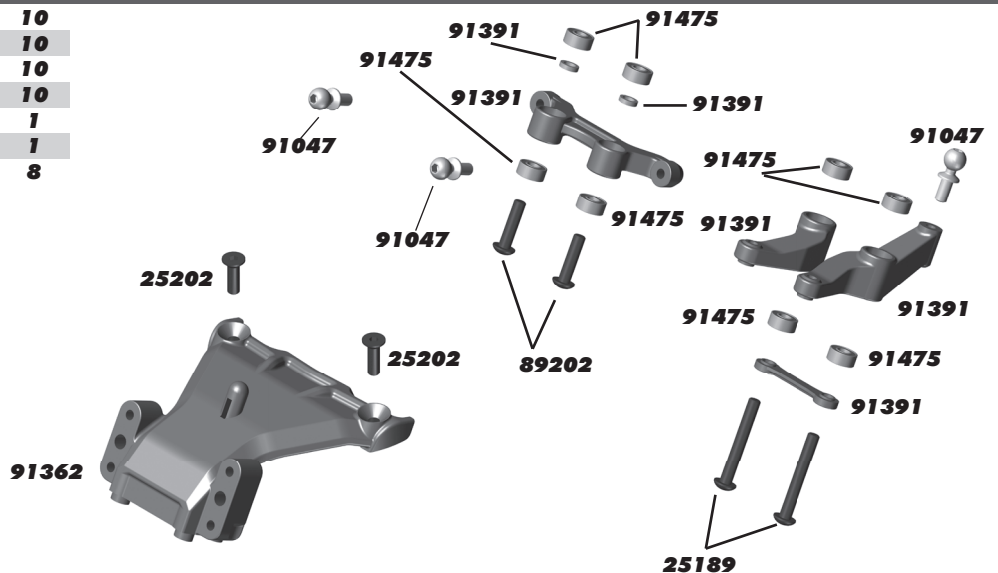
### :: Turnbuckles and Servo Mounts

|       |                                 |    |
|-------|---------------------------------|----|
| 7253  | Turnbuckle, 2.62"               | 2  |
| 7337  | .250 x .125 x .015" Washer      | 4  |
| 25201 | M3 x 8MM FHCS                   | 10 |
| 31532 | M3 x 8 BHCS                     | 10 |
| 71047 | Servo Saver                     | 1  |
| 91047 | Heavy-duty Ballstud, 6mm        | 10 |
| 91391 | Servo Mount and Steering Rack   | 1  |
| 91469 | Ball Cups and Steering Link Set | 1  |



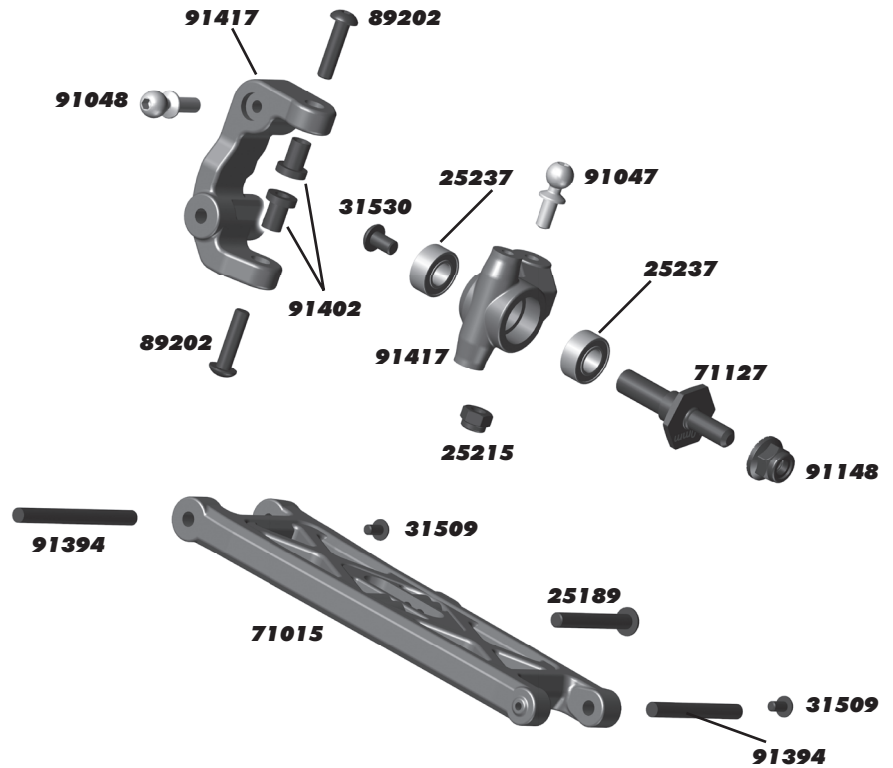
### :: Front Bulkhead / Steering

|       |                          |    |
|-------|--------------------------|----|
| 25189 | M3 x 22mm BHCS           | 10 |
| 25202 | M3 x 10mm FHCS           | 10 |
| 89202 | M3 x 12mm BHCS           | 10 |
| 91047 | Heavy-duty Ballstud, 6mm | 10 |
| 91362 | Top Plate                | 1  |
| 91391 | Steering Set, B5         | 1  |
| 91475 | 3x7x3 Ball Bearing       | 8  |



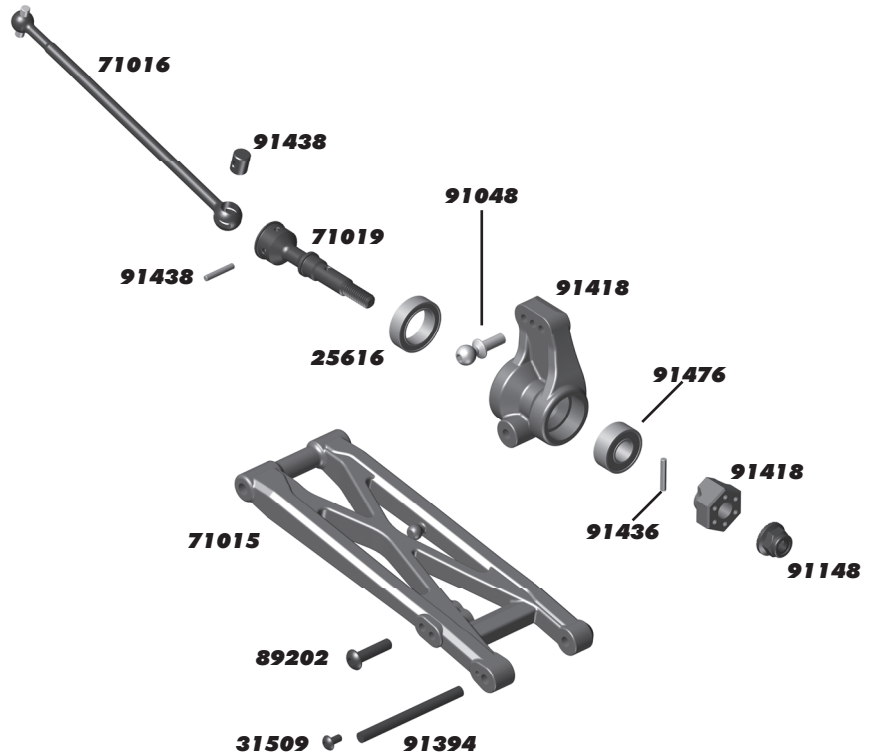
**:: Front Arm**

|       |                                   |     |
|-------|-----------------------------------|-----|
| 25189 | M3 x 22mm BHCS                    | 10  |
| 25215 | M3 Locknut, Black                 | 20  |
| 25237 | Bearing, 5 x 10 x 4               | 2   |
| 31509 | M2 x 3mm BHCS                     | 10  |
| 31530 | M3 x 5mm BHCS                     | 10  |
| 71015 | Suspension Arm Set                | 1   |
| 71127 | Front Axle                        | 2   |
| 89202 | M3 x 12mm BHCS                    | 10  |
| 91047 | Heavy-duty Ballstud, 6mm          | 10  |
| 91048 | Heavy-duty Ballstud, 8mm          | 10  |
| 91148 | M4 Locknut, with flange and knurl | 8   |
| 91394 | Hinge Pin Set, B5                 | 1   |
| 91402 | Caster Block Bushing, B5          | 4   |
| 91417 | Caster and Steering Blocks        | Pr. |



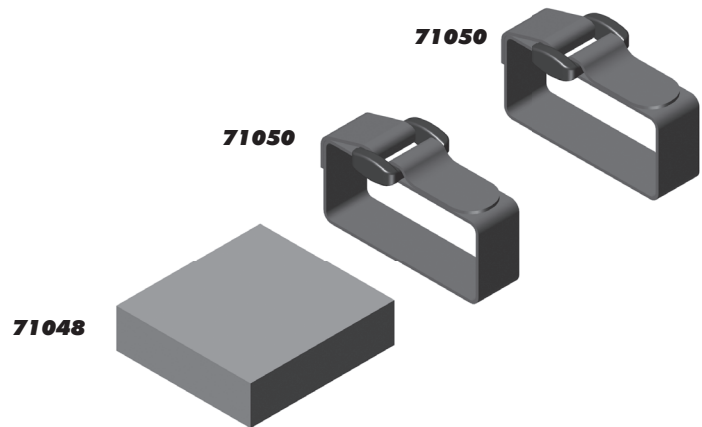
**:: Rear Arm**

|       |                                   |     |
|-------|-----------------------------------|-----|
| 25616 | Bearing, 10 x 15 x 4              | 2   |
| 31509 | M2 x 3mm BHCS                     | 10  |
| 71015 | Suspension Arm Set                | 1   |
| 71016 | RC10T5M CVA Bone                  | 2   |
| 71019 | RC10T5M HD CVA Axle               | 2   |
| 89202 | M3 x 12mm BHCS                    | 10  |
| 91048 | Heavy-duty Ballstud, 8mm          | 10  |
| 91148 | M4 Locknut, with flange and knurl | 8   |
| 91394 | Hinge Pin Set, B5                 | 1   |
| 91418 | Rear Hubs and Wheel Hexes         | Pr. |
| 91436 | CVA/Wheel Hex Pin, B5             | 4   |
| 91438 | CVA Rebuild Kit, B5               | 1   |
| 91476 | 6x13x5 Ball Bearing               | 2   |



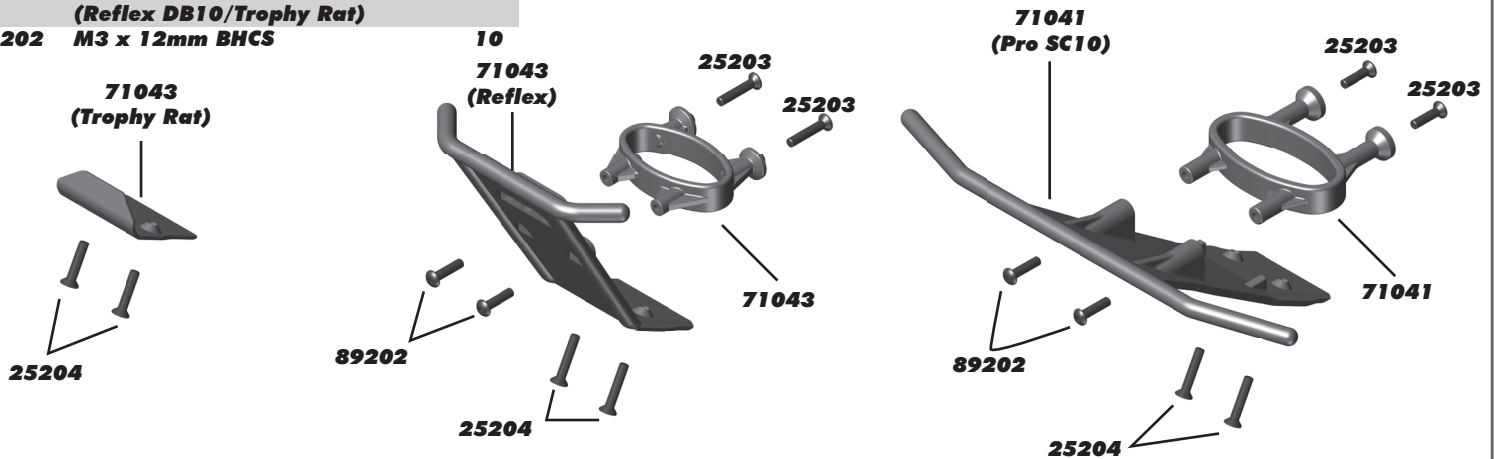
**:: Battery Strap**

|              |                             |          |
|--------------|-----------------------------|----------|
| <b>71048</b> | <b>Battery Foam</b>         | <b>1</b> |
| <b>71050</b> | <b>Hook and Loop Straps</b> | <b>2</b> |



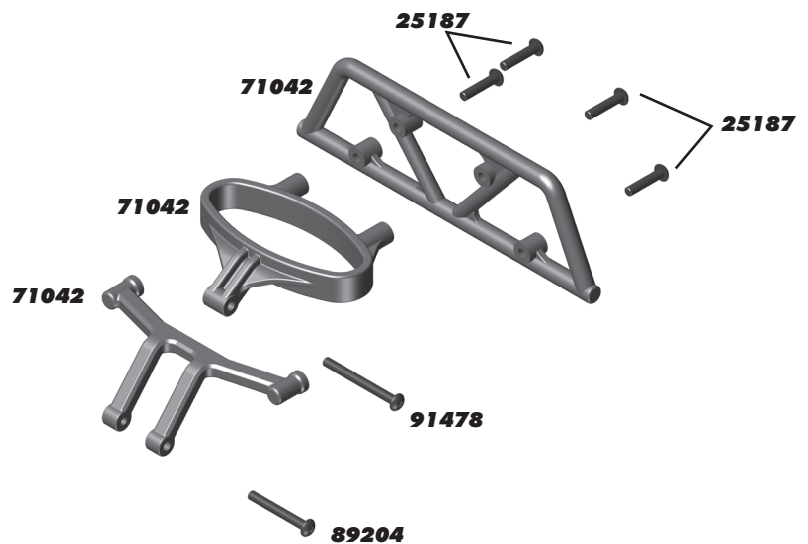
**:: Front Bumpers**

|              |  |           |
|--------------|--|-----------|
| <b>25203</b> | <b>M3 x 12mm FHCS</b>                        | <b>10</b> |
| <b>25204</b> | <b>M3 x 16mm FHCS</b>                        | <b>10</b> |
| <b>71041</b> | <b>Front Bumper (Pro SC10)</b>               | <b>1</b>  |
| <b>71043</b> | <b>Front Bumper (Reflex DB10/Trophy Rat)</b> | <b>1</b>  |
| <b>89202</b> | <b>M3 x 12mm BHCS</b>                        | <b>10</b> |



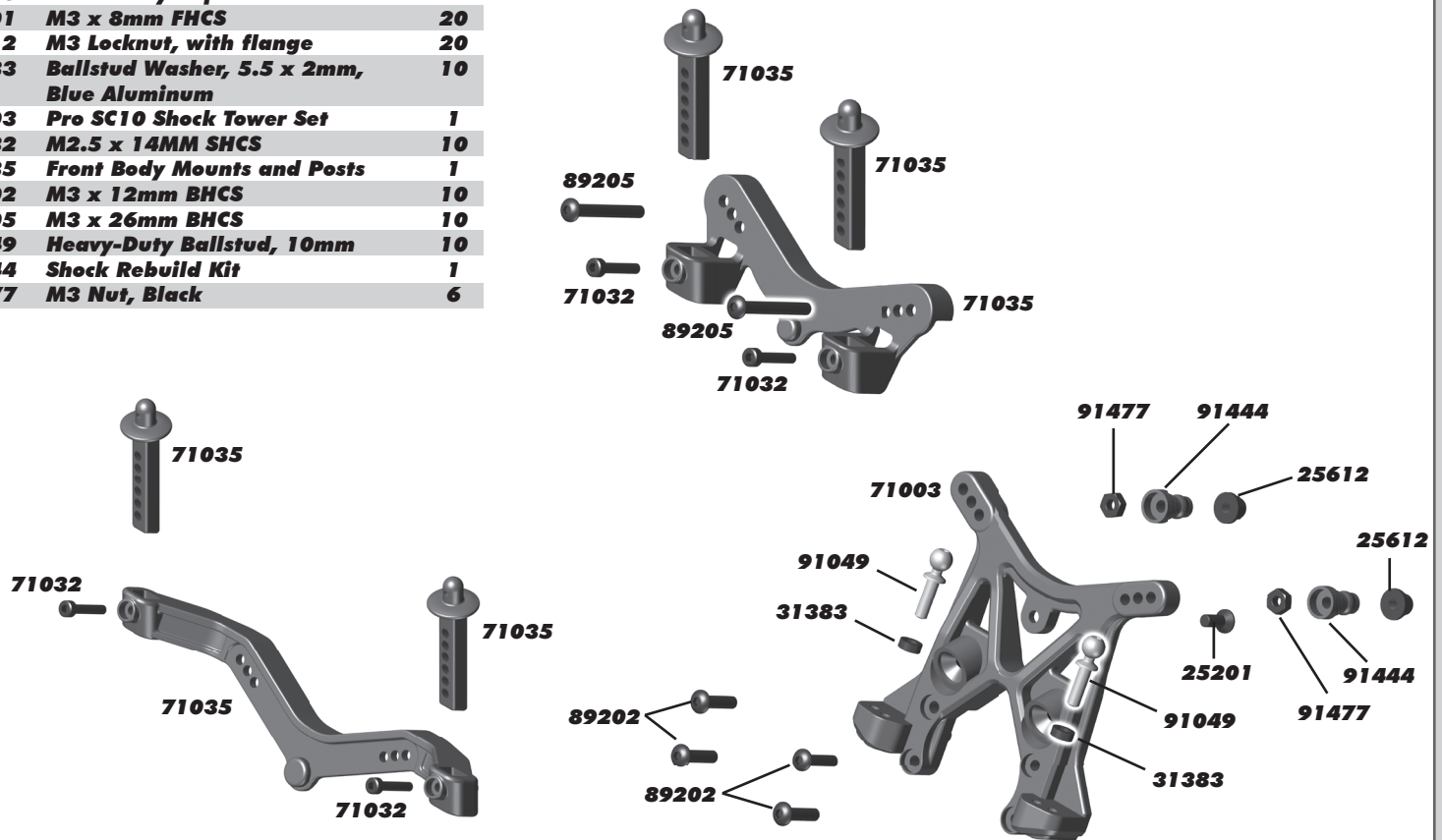
**:: Rear Bumper**

|              |                       |           |
|--------------|-----------------------|-----------|
| <b>25187</b> | <b>M3 x 14mm BHCS</b> | <b>10</b> |
| <b>71042</b> | <b>Rear Bumper</b>    | <b>1</b>  |
| <b>89204</b> | <b>M3 x 24mm BHCS</b> | <b>10</b> |
| <b>91478</b> | <b>M3 x 30mm BHCS</b> | <b>10</b> |



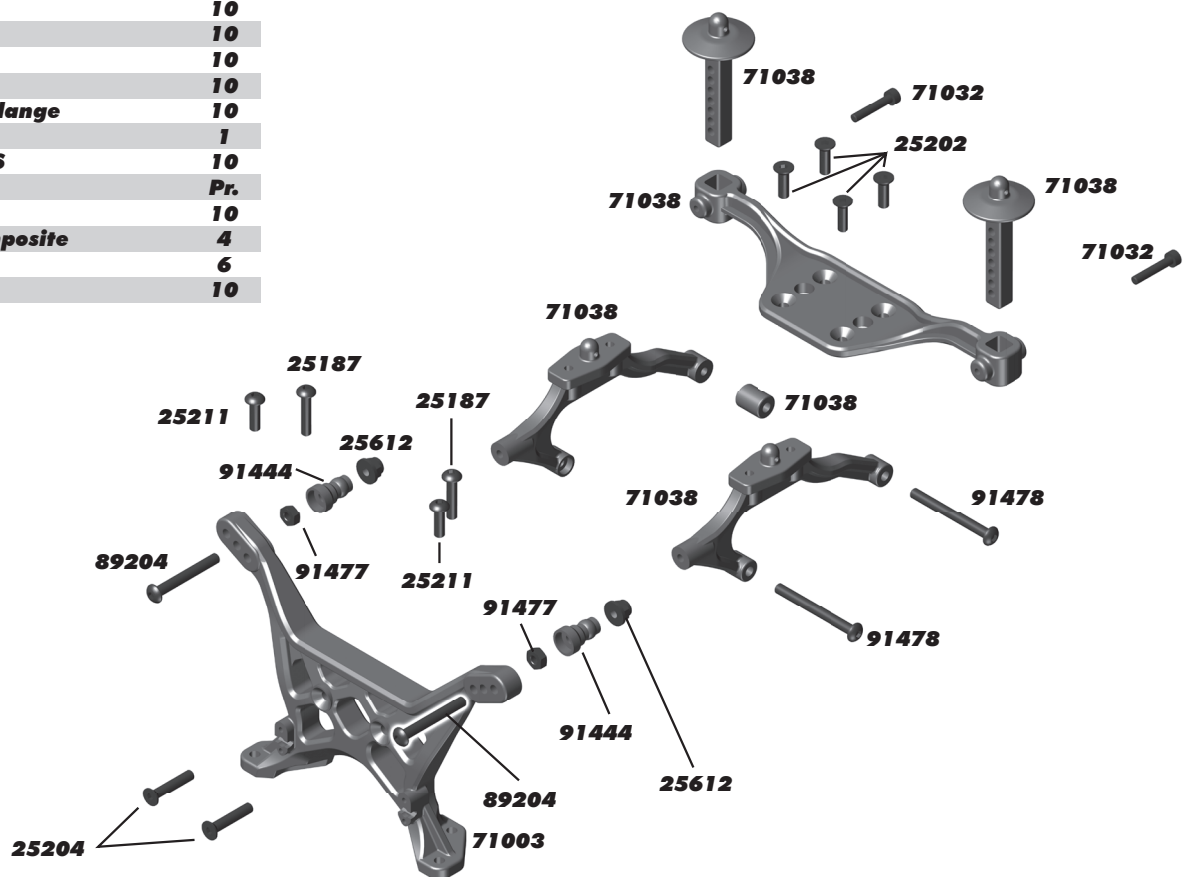
## :: Front Shock Tower

|              |  |           |
|--------------|--|-----------|
| <b>21173</b> | <b>Small Body Clips</b>                          | <b>12</b> |
| <b>25201</b> | <b>M3 x 8mm FHCS</b>                             | <b>20</b> |
| <b>25612</b> | <b>M3 Locknut, with flange</b>                   | <b>20</b> |
| <b>31383</b> | <b>Ballstud Washer, 5.5 x 2mm, Blue Aluminum</b> | <b>10</b> |
| <b>71003</b> | <b>Pro SC10 Shock Tower Set</b>                  | <b>1</b>  |
| <b>71032</b> | <b>M2.5 x 14MM SHCS</b>                          | <b>10</b> |
| <b>71035</b> | <b>Front Body Mounts and Posts</b>               | <b>1</b>  |
| <b>89202</b> | <b>M3 x 12mm BHCS</b>                            | <b>10</b> |
| <b>89205</b> | <b>M3 x 26mm BHCS</b>                            | <b>10</b> |
| <b>91049</b> | <b>Heavy-Duty Ballstud, 10mm</b>                 | <b>10</b> |
| <b>91444</b> | <b>Shock Rebuild Kit</b>                         | <b>1</b>  |
| <b>91477</b> | <b>M3 Nut, Black</b>                             | <b>6</b>  |



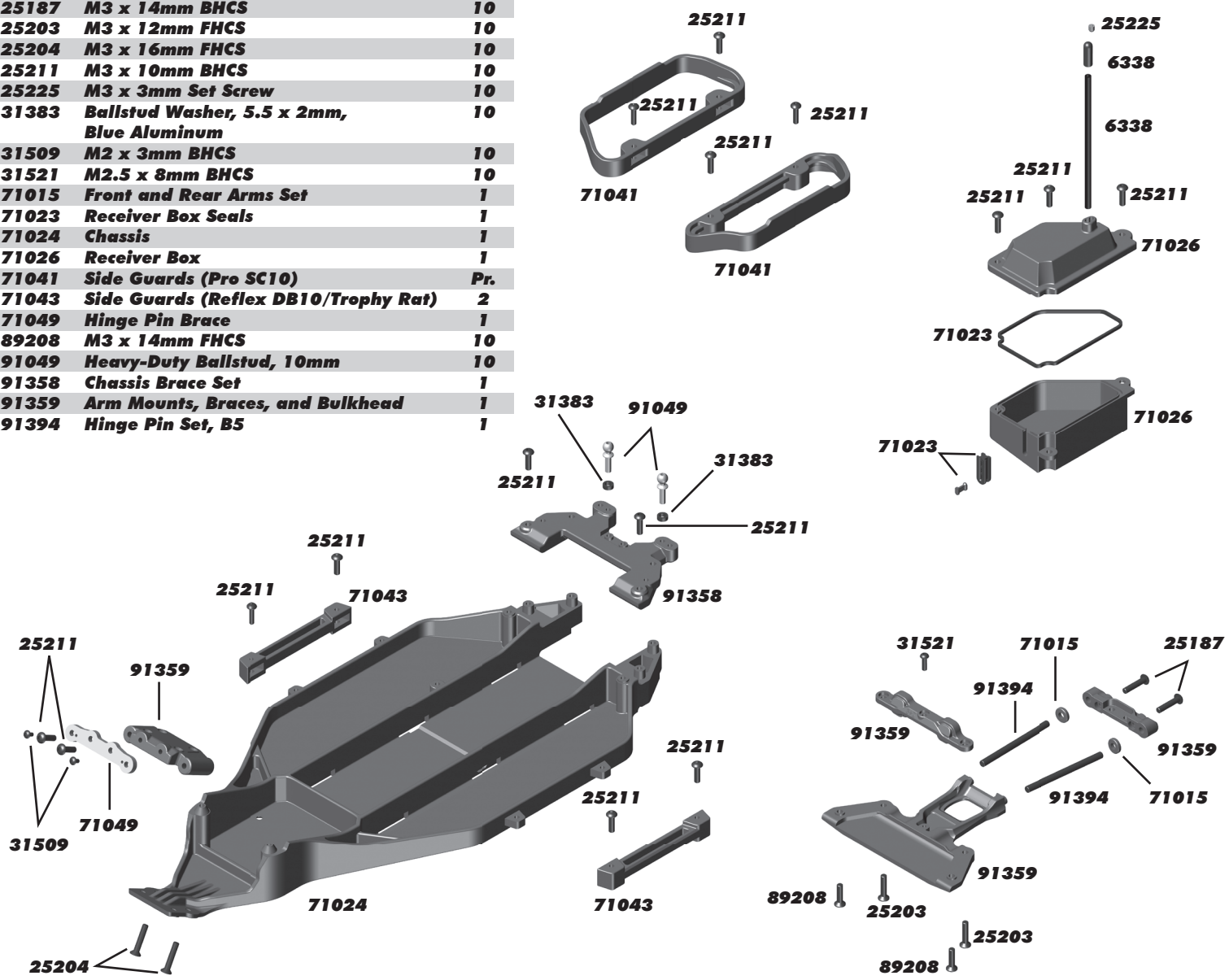
## :: Rear Shock Tower

|              |                                |            |
|--------------|--------------------------------|------------|
| <b>25187</b> | <b>M3 x 14mm BHCS</b>          | <b>10</b>  |
| <b>25202</b> | <b>M3 x 10mm FHCS</b>          | <b>10</b>  |
| <b>25204</b> | <b>M3 x 16mm FHCS</b>          | <b>10</b>  |
| <b>25211</b> | <b>M3 x 10mm BHCS</b>          | <b>10</b>  |
| <b>25612</b> | <b>M3 Locknut, with Flange</b> | <b>10</b>  |
| <b>71003</b> | <b>Shock Tower Set</b>         | <b>1</b>   |
| <b>71032</b> | <b>M2.5 x 14MM SHCS</b>        | <b>10</b>  |
| <b>71038</b> | <b>Rear Body Mounts</b>        | <b>Pr.</b> |
| <b>89204</b> | <b>M3 x 24mm BHCS</b>          | <b>10</b>  |
| <b>91444</b> | <b>Shock Bushing Composite</b> | <b>4</b>   |
| <b>91477</b> | <b>M3 Nut, Black</b>           | <b>6</b>   |
| <b>91478</b> | <b>M3 x 30mm BHCS</b>          | <b>10</b>  |



**:: Chassis**

|       |   |     |
|-------|---|-----|
| 6338  | Antenna Tube & Cap (black)                | 1   |
| 25187 | M3 x 14mm BHCS                            | 10  |
| 25203 | M3 x 12mm FHCS                            | 10  |
| 25204 | M3 x 16mm FHCS                            | 10  |
| 25211 | M3 x 10mm BHCS                            | 10  |
| 25225 | M3 x 3mm Set Screw                        | 10  |
| 31383 | Ballstud Washer, 5.5 x 2mm, Blue Aluminum | 10  |
| 31509 | M2 x 3mm BHCS                             | 10  |
| 31521 | M2.5 x 8mm BHCS                           | 10  |
| 71015 | Front and Rear Arms Set                   | 1   |
| 71023 | Receiver Box Seals                        | 1   |
| 71024 | Chassis                                   | 1   |
| 71026 | Receiver Box                              | 1   |
| 71041 | Side Guards (Pro SC10)                    | Pr. |
| 71043 | Side Guards (Reflex DB10/Trophy Rat)      | 2   |
| 71049 | Hinge Pin Brace                           | 1   |
| 89208 | M3 x 14mm FHCS                            | 10  |
| 91049 | Heavy-Duty Ballstud, 10mm                 | 10  |
| 91358 | Chassis Brace Set                         | 1   |
| 91359 | Arm Mounts, Braces, and Bulkhead          | 1   |
| 91394 | Hinge Pin Set, B5                         | 1   |

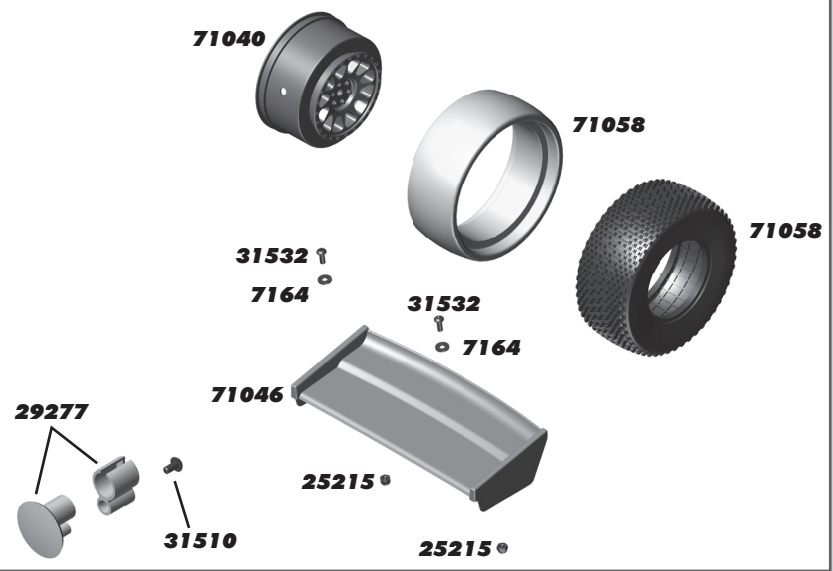


**:: Bodies and Wheels**

|       |                               |   |
|-------|-------------------------------|---|
| 71040 | Method 12mm Hex Wheel, Black  | 2 |
| 71058 | Multi-Terrain Tire w/ Inserts | 2 |

**:: Body and Decals**

|       |                                    |    |
|-------|------------------------------------|----|
| 7164  | Washers, 3x6x0.5mm                 | 10 |
| 9876  | SC10 Contender Body, Clear         | 1  |
| 25215 | Locknuts, M3                       | 20 |
| 29277 | XP Head Lights and Mounts          | 1  |
| 31510 | M2 x 4mm BHCS                      | 10 |
| 31532 | M3 x 8mm BHCS                      | 10 |
| 71045 | Trophy Rat Body, Clear             | 1  |
| 71046 | Reflex DB Body, Clear              | 1  |
| 71056 | Trophy Rat Body, Painted           | 1  |
| 71057 | Reflex DB10 Body, Painted          | 1  |
| 71059 | RJ / Rockstar Energy Body, Painted | 1  |
| 71060 | AE Team Body, Painted              | 1  |



**:: Factory Team and Option Parts**

|       |  |       |
|-------|--|-------|
| 1408  | FT Ti Turnbuckle, 2.65"/67mm (blue)  | Pr.   |
| 1409  | FT Ti Turnbuckle, 1"/25.5mm (sway bar) (blue)                              | Pr.   |
| 1734  | FT Blue Body Clip, 4 long, 6 short   | 10    |
| 1735  | FT Blue Body Clip, long  | 4     |
| 1736  | FT Blue Body Clip, short   | 6     |
| 7495  | Vented V2 Slipper Hubs   | 2     |
| 25392 | FT Locknuts, 3mm Aluminum, Blue  | 10    |
| 27128 | Servo Washers, Aluminum, Black   | 4     |
| 31381 | FT Ballstud Washer, Aluminum (0.5mm)                                       | 10    |
| 31382 | FT Ballstud Washer, Aluminum (1.0mm)                                       | 10    |
| 31383 | FT Ballstud Washer, Aluminum (2.0mm)                                       | 10    |
| 71005 | Front Shock Tower (HARD), TSM  | 1     |
| 71009 | Front Arms (HARD), TSM   | Pr.   |
| 71011 | Rear Arms (HARD), TSM  | Pr.   |
| 71014 | Clamping Wheel Hex (8.5mm)   | 2     |
| 71019 | HD CVA Axle, TSM   | 2     |
| 91175 | FT VTS Slipper Conversion  | 1     |
| 91176 | VTS Slipper Housing  | 1     |
| 91177 | VTS Slipper Pads   | 2     |
| 91178 | VTS Slipper Plate  | 1     |
| 91179 | FT VTS Slipper Hub, outer  | 1     |
| 91363 | Top Plate (HARD), B5   | 1     |
| 91383 | FT Aluminum Arm Mount (C)  | 1     |
| 91385 | Arm Mount Inserts Set (C), B5  | 1     |
| 91387 | FT Aluminum Arm Mount (D)  | 1     |
| 91389 | Arm Mount Insert (D), B5   | 1     |
| 91392 | Aluminum Steering Set, B5  | 1     |
| 91446 | Shock Bushing (Aluminum), B5 - Req. #91447                                 | 4     |
| 91447 | Shock Bushing Ball, B5 - Req. #91446                                       | 4     |
| 91464 | FT Aluminum Gear Diff Cover  | 1     |
| 91468 | Factory Team Anti-Roll Bar Kit   | 1     |
| 91492 | 12mm V2 Bleeder Gasket/Screw   | 1     |
| 91493 | FT Low Friction X-Rings  | 8     |
| 91495 | 12mm V2 X-Ring Rebuild Kit<br>(4 clear x rings, 2 spacers, 4 hat bushings) | 1     |
| 91497 | 12 x 27.5B/27.5S V2 Shock Kit  | 1     |
| 91499 | 12x36B/35S V2 Shock Kit  | 1     |
| 91546 | RC10B5 Milled Motor Plate, Black (4 Gear)                                  | 1     |
| 91548 | RC10B5 Aluminum Rear Hubs (Blue)   | Pr.   |
| 91549 | RC10B5 Aluminum Rear Hubs (Black)  | Pr.   |
| 91550 | RC10B5 Rear Hub Bearing Inserts  | 2 ea. |
| 91553 | Factory Team Bearing Kit, B5, B5M, TSM, SC5M                               | 1     |
| 91560 | 5x10x4mm Factory Team Bearings   | 4     |
| 91562 | 6x13x5mm Factory Team Bearings   | 4     |
| 91563 | 10x15x4mm Factory Team Bearings Titanium                                   | 4     |
| 91577 | FT 12 x 27.5 Shock Body (V2), threaded                                     | 2     |
| 91579 | FT 12 x 36 Shock Body (V2), threaded                                       | 2     |
| 91580 | Titanium Screws, 3x6mm BHCS  | 4     |
| 91581 | Titanium Screws, 3x8mm BHCS  | 4     |
| 91582 | Titanium Screws, 3x10mm BHCS   | 4     |
| 91583 | Titanium Screws, 3x12mm BHCS   | 4     |
| 91584 | Titanium Screws, 3x14mm BHCS   | 4     |
| 91585 | Titanium Screws, 3x16mm BHCS   | 4     |
| 91588 | Titanium Screws, 3x22mm BHCS   | 4     |
| 91589 | Titanium Screws, 3x24mm BHCS   | 4     |
| 91592 | Titanium Screws, 3x8mm FHCS  | 4     |
| 91593 | Titanium Screws, 3x10mm FHCS   | 4     |
| 91594 | Titanium Screws, 3x12mm FHCS   | 4     |
| 91595 | Titanium Screws, 3x14mm FHCS   | 4     |
| 91596 | Titanium Screws, 3x16mm FHCS   | 4     |
| 91597 | Titanium Screws, 3x18mm FHCS   | 4     |
| 91609 | Clamping Wheel Hex, (5.0mm offset)   | 2     |
| 91610 | Clamping Wheel Hex, (7.0mm offset)   | 2     |
| 91619 | 3 x 27.5 Shock Shafts (V2), TiN  | 2     |
| 91620 | FT 3 x 27.5 Shock Shafts (V2), Chrome                                      | 2     |
| 91623 | 3 x 35 Shock Shafts (V2), TiN  | 2     |
| 91624 | FT 3 x 35 Shock Shafts (V2), Chrome  | 2     |
| 91626 | FT 12mm Pistons (V2), 2 x 1.6, flat  | 4     |
| 91627 | FT 12mm Pistons V2, 2 x 1.7, flat  | 4     |
| 91628 | FT 12mm Pistons (V2), 3 x 1.4, flat  | 4     |
| 91630 | FT 12mm Pistons (V2), Blank, flat  | 4     |
| 91631 | FT 12mm Pistons (V2), 3 x 1.4, tapered                                     | 4     |
| 91633 | FT 12mm Pistons (V2), Blank, tapered                                       | 4     |

**:: Reedy Electronics**

|       |   |   |
|-------|---|---|
| 254C  | Blackbox 800Z/540-M3 17.5 Combo                 | 1 |
| 255C  | Blackbox 800Z/540-M3 15.5 Combo                 | 1 |
| 256C  | Blackbox 1000Z+/540-M3 10.5 Combo               | 1 |
| 258C  | Blackbox 1000Z+/540-M3 8.5 Combo                | 1 |
| 259C  | Blackbox 1000Z+/540-M3 8.0 Combo                | 1 |
| 260C  | Blackbox 1000Z+/540-M3 7.5 Combo                | 1 |
| 261C  | Blackbox 1000Z+/540-M3 7.0 Combo                | 1 |
| 262C  | Blackbox 1000Z+/540-M3 6.5 Combo                | 1 |
| 269C  | Blackbox 800Z/540-M3 17.5 SS Combo              | 1 |
| 270C  | Blackbox 800Z/540-M3 13.5 SS Combo              | 1 |
| 285C  | Blackbox 800Z/540-M3 10.5 SS Combo              | 1 |
| 293C  | Blackbox 600Z ESC / Sonic 540-FT 17.5 Combo     | 1 |
| 294C  | Blackbox 600Z ESC / Sonic 540-FT 13.5 Combo     | 1 |
| 27002 | Blackbox 800Z 2S Zero-Timing Competition ESC    | 1 |
| 27003 | Blackbox 1000Z+ 2S Competition ESC              | 1 |
| 27004 | Blackbox 510R Competition ESC                   | 1 |
| 27005 | Blackbox 510R Competition ESC w/PROgrammer2     | 1 |
| 27024 | Blackbox Pro Capacitor Unit                     | 1 |
| 27026 | Blackbox 1000Z+ Fan w/Screws                    | 1 |
| 27027 | Blackbox PROgrammer2                            | 1 |
| 27028 | Blackbox 30x30x7mm Fan w/screws                 | 1 |
| 27029 | Blackbox Pro Modified Capacitor Unit            | 1 |
| 27030 | Blackbox ESC/Programmer2 Connection Wire        | 1 |
| 27100 | RS1206 Digital HV Hi-Speed Competition Servo    | 1 |
| 27101 | RT1508 Digital HV Hi-Torque Competition Servo   | 1 |
| 27108 | RS0806 Digital HV Hi-Speed LP Competition Servo | 1 |
| 27109 | RT1408 Digital HV Hi-Speed LP Competition Servo | 1 |
| 27110 | 0712MG Digital HV Metal Gear Servo, 7kg         | 1 |
| 27111 | 1514MG Digital HV Metal Gear Servo, 15kg        | 1 |
| 27124 | RS0806 LP Case Set                              | 1 |
| 27125 | RS0806 LP Gear Set                              | 1 |
| 27126 | RT1408 LP Case Set                              | 1 |
| 27127 | RT1408 LP Gear Set                              | 1 |
| 29193 | SC550 Brushed ESC                               | 1 |
| 29194 | SC550 Bridge Plug                               | 1 |

**:: Reedy Motors**

|     |  |   |
|-----|--|---|
| 254 | Sonic 540-M3 17.5                          | 1 |
| 255 | Sonic 540-M3 13.5                          | 1 |
| 256 | Sonic 540-M3 10.5                          | 1 |
| 257 | Sonic 540-M3 9.5                           | 1 |
| 258 | Sonic 540-M3 8.5                           | 1 |
| 259 | Sonic 540-M3 8.0                           | 1 |
| 260 | Sonic 540-M3 7.5                           | 1 |
| 261 | Sonic 540-M3 7.0                           | 1 |
| 262 | Sonic 540-M3 6.5                           | 1 |
| 263 | Sonic 540-M3 6.0                           | 1 |
| 264 | Sonic 540-M3 5.5                           | 1 |
| 265 | Sonic 540-M3 5.0                           | 1 |
| 266 | Sonic 540-M3 4.5                           | 1 |
| 267 | Sonic 540-M3 4.0                           | 1 |
| 268 | Sonic 540-M3 3.5                           | 1 |
| 269 | Sonic 540-M3 SS 17.5 1S                    | 1 |
| 270 | Sonic 540-M3 SS 13.5 1S                    | 1 |
| 285 | Sonic 540-M3 SS 10.5 1S                    | 1 |
| 271 | Sonic 540-M3 Spec Rotor 12.0 x 7.25 x 25.3 | 1 |
| 272 | Sonic 540-M3 Spec Rotor 12.2 x 7.25 x 25.3 | 1 |
| 273 | Sonic 540-M3 Spec Rotor 12.5 x 7.25 x 25.3 | 1 |
| 274 | Sonic 540-M3 Mod Rotor 12.3 x 5.0 x 25.3   | 1 |
| 275 | Sonic 540-M3 Mod Rotor 12.5 x 5.0 x 25.3   | 1 |
| 276 | Sonic 540-M3 Mod Rotor 13.0 x 5.0 x 25.3   | 1 |
| 277 | Sonic 540-M3 Stainless Steel Bearing Set   | 1 |
| 279 | Sonic 540-M3 Sensor Assembly               | 1 |
| 280 | Sonic 540-M3 Rotor Spacer Set              | 1 |
| 281 | Sonic 540-M3 Case Screws w/Insulator       | 1 |
| 282 | Sonic 540-M3 Motor Mounting Plate SS       | 1 |
| 283 | Sonic 540-M3 Motor Mounting Plate          | 1 |
| 286 | Sonic 540-M3 Spec Rotor 12.3 x 7.25 x 25.3 | 1 |
| 293 | Sonic 540-M3 Fixed Timing 17.5             | 1 |
| 294 | Sonic 540-M3 Fixed Timing 13.5             | 1 |
| 907 | 540-SL4 Sensorless Brushless Motor         | 1 |



**:: XP Electronics**

|       |                              |   |
|-------|------------------------------|---|
| 29203 | AE XP120 2.4GHz Radio System | 1 |
| 29204 | AE XP-R4 2.4GHz 4CH Receiver | 1 |

**:: Reedy Accessories**

|     |   |   |
|-----|---|---|
| 643 | Low Profile Bullet Plug 4mm x 14mm (2)        | 1 |
| 644 | Low Profile Bullet Plug 4mm x 14mm (10)       | 1 |
| 645 | Low Profile Bullet Plug 5mm x 14mm (2)        | 1 |
| 646 | Low Profile Bullet Plug 5mm x 14mm (10)       | 1 |
| 647 | Silicone Wire 12AWG-Black (1m)                | 1 |
| 648 | Silicone Wire 14AWG-Black (1m)                | 1 |
| 650 | Shrink Tubing - 15pcs 4.5mm x 20mm            | 1 |
| 747 | Silicone Wire 12AWG-Black (30m)               | 1 |
| 748 | Silicone Wire 14AWG-Black (30m)               | 1 |
| 790 | Silicone Wire 13AWG-Black (1m)                | 1 |
| 791 | Silicone Wire 13AWG-Black (30m)               | 1 |
| 792 | Low Profile Caged Bullet Plug 4mm x 14mm (2)  | 1 |
| 793 | Low Profile Caged Bullet Plug 4mm x 14mm (10) | 1 |
| 794 | Low Profile Caged Bullet Plug 5mm x 14mm (2)  | 1 |
| 795 | Low Profile Caged Bullet Plug 5mm x 14mm (10) | 1 |
| 978 | Flat Sensor Wire 70mm                         | 1 |
| 979 | Flat Sensor Wire 110mm                        | 1 |
| 980 | Flat Sensor Wire 150mm                        | 1 |
| 981 | Flat Sensor Wire 200mm                        | 1 |
| 982 | Flat Sensor Wire 270mm                        | 1 |
| 994 | Flat Sensor Wire 125mm                        | 1 |
| 995 | Flat Sensor Wire 175mm                        | 1 |

**:: Apparel / Promotional****TEE SHIRTS**

|        |  |   |
|--------|--|---|
| SP11*  | 2016 Worlds T-shirt, blue, (S, M, L, XL-5XL)   | 1 |
| SP12*  | 2016 Worlds T-shirt, black, (S, M, L, XL-5XL)  | 1 |
| SP113* | AE Worlds Car Retro T-Shirt, (S, M, L, XL-3XL) | 1 |
| SP114* | Circuit T-Shirt - Black (S, M, L, XL-3XL)      | 1 |
| SP120* | AE 3/4 Sleeve Tee, Gray (S, M, L, XL-3XL)      | 1 |
| SP121* | Kids AE Speed Tee, Black (S, M, L)             | 1 |
| SP122* | Ladies AE Speed Tee, Black (S, M, L, XL)       | 1 |
| SP123* | Mens AE Speed Tee, Navy (S, M, L, XL-5XL)      | 1 |
| SP124* | AE 2017 Worlds Tee, Black (S, M, L, XL-3XL)    | 1 |
| SP140* | Reedy Heritage Tee, Black (S, M, L, XL-5XL)    | 1 |

**HOODIES/JACKETS**

|        |  |   |
|--------|--|---|
| SP13*  | AE Lite Jacket - Black - (S, M, L, XL, 2XL)    | 1 |
| SP71*  | AE Winter Jacket - Black (S, M, L, XL, 2XL)    | 1 |
| SP111* | Reedy W15 Sweatshirt - Black (S, M, L, XL-3XL) | 1 |

**HATS**

|        |                                       |   |
|--------|---------------------------------------|---|
| SP20   | AE Patch Trucker Hat                  | 1 |
| SP38   | Reedy Trucker Hat                     | 1 |
| SP406  | 2017 Reedy Power Hat, Black           | 1 |
| SP407  | 2017 Team Associated Hat, Gray        | 1 |
| SP408  | AE Worlds Hat                         | 1 |
| SP421S | AE 2012 Hat, Black, Flat Bill, S/M    | 1 |
| SP421L | AE 2012 Hat, Black, Flat Bill, L/XL   | 1 |
| SP422S | AE 2012 Hat, Black, Curved Bill, S/M  | 1 |
| SP422L | AE 2012 Hat, Black, Curved Bill, L/XL | 1 |
| SP423S | AE 2012 Hat, White, Flat Bill, S/M    | 1 |
| SP423L | AE 2012 Hat, White, Flat Bill, L/XL   | 1 |
| SP424S | AE 2012 Hat, White, Curved Bill, S/M  | 1 |
| SP424L | AE 2012 Hat, White, Curved Bill, L/XL | 1 |

**BANNERS/MATS CARRIERS**

|        |  |   |
|--------|--|---|
| SP29   | Team Associated Countertop / Setup Mat | 1 |
| SP30   | Team Associated Pit Mat                | 1 |
| SP31   | Reedy Countertop / Setup Mat           | 1 |
| SP115  | Reedy Circuit Cloth Banner             | 1 |
| SP425  | FT Fluid Carrier                       | 1 |
| 726    | Reedy 2016 Sticker Sheet               | 1 |
| 110684 | Team Associated Track Banner           | 1 |
| 110685 | Team Associated Cloth Banner           | 1 |

\* Use part number plus the desired size when ordering!

**:: Reedy Batteries and Chargers**

|         |  |   |
|---------|--|---|
| 302     | AA Alkaline 1.5V (4)                                 | 1 |
| 616     | 423-S AC 35W Compact Balance Charger                 | 1 |
| 616CL   | 423-S Charger/ 3300mAh LiPo Battery                  | 1 |
| 751     | Wolfpack LiPo 3300mAh 30C 7.4V w/T-Plug              | 1 |
| 752     | Wolfpack LiPo 4000mAh 35C 7.4V w/T-Plug              | 1 |
| 753     | Wolfpack LiPo 5400mAh 35C 7.4V w/T-Plug              | 1 |
| 754     | Wolfpack LiPo 7500mAh 30C 7.4V w/T-Plug              | 1 |
| 755     | Wolfpack LiPo 4500mAh 35C 11.1V w/T-Plug             | 1 |
| 27200   | 1216-C2 Dual AC/DC Comp. Battery Charger             | 1 |
| 27200CN | 1216-C2 Dual AC/DC Comp. Battery Charger - CHN Plug  | 1 |
| 27200EU | 1216-C2 Dual AC/DC Comp. Battery Charger - EURO Plug | 1 |
| 27200UK | 1216-C2 Dual AC/DC Comp. Battery Charger - UK Plug   | 1 |
| 27201   | 324-S AC LiPo/LiFe Compact Balance Charger           | 1 |
| 27201C2 | 324-S Charger w/3300mAh 7.4V LiPo Battery            | 1 |
| 27201C3 | 324-S Charger w/4500mAh 11.1V LiPo Battery           | 1 |
| 27220   | 7-in-1 Universal Charge Lead (4mm)                   | 1 |
| 27221   | T-plug Charge Lead (4mm)                             | 1 |
| 27222   | XH 2-6S Balance Board (4mm)                          | 1 |

**:: Tools**

|      |   |    |
|------|---|----|
| 1111 | FT Turnbuckle Wrench  | 1  |
| 1112 | FT 4mm Turnbuckle Wrench  | 1  |
| 1113 | 12mm Big Bore Shock Tool  | 1  |
| 1114 | FT Dual Turnbuckle Wrench   | 1  |
| 1449 | Off Road Ride Height Gauge  | 1  |
| 1452 | FT TC Ride Height Gauge   | 1  |
| 1498 | FT Universal Tire Balancer  | 1  |
| 1541 | FT Hex Driver Set, (7 pcs)  | 1  |
| 1545 | FT 5/64" Blue Hex Driver  | 1  |
| 1568 | FT 5.5mm Short Nut Driver   | 1  |
| 1569 | FT 7mm Nut Driver, T-Handle   | 1  |
| 1570 | FT 5.5mm Short Nut Driver   | 1  |
| 1571 | FT 1:8 Wheel Nut Wrench, 17mm Hex   | 1  |
| 1579 | FT Ball Cup Wrench  | 1  |
| 1590 | FT 3/32" Gold Ball Hex Driver   | 1  |
| 1592 | FT Ball Hex Driver Set, (3 pcs)   | 1  |
| 1655 | FT 8-Piece 1/4" Hex Drive Set   | 1  |
| 1656 | FT 1/4" Hex Drive Handle, without tips  | 1  |
| 1657 | FT 1/4" Hex Drive .050" Tip   | 1  |
| 1658 | FT 1/4" Hex Drive 1/16" Tip   | 1  |
| 1659 | FT 1/4" Hex Drive 5/64" - 2.0mm Tip   | 1  |
| 1660 | FT 1/4" Hex Drive 3/32" Tip   | 1  |
| 1661 | FT 1/4" Hex Drive 1.5mm Tip   | 1  |
| 1662 | FT 1/4" Hex Drive 2.5mm Tip   | 1  |
| 1663 | FT 1/4" Hex Drive 3/16" Nut Driver Tip  | 1  |
| 1664 | FT 1/4" Hex Drive 1/4" Nut Driver Tip   | 1  |
| 1665 | FT 1/4" Hex Drive 11/32" Nut Driver Tip   | 1  |
| 1666 | FT 1/4" Hex Drive 5.5mm Nut Driver Tip  | 1  |
| 1667 | FT 1/4" Hex Drive 7.0mm Nut Driver Tip  | 1  |
| 1668 | FT 1/4" Hex Drive 8.0mm Nut Driver Tip  | 1  |
| 1669 | FT 1/4" Hex Drive 5/64" - 2.0mm Ball End Tip  | 1  |
| 1670 | FT 1/4" Hex Drive 3/32" Ball End Tip  | 1  |
| 1671 | FT 1/4" Hex Drive Standard Screwdriver Tip  | 1  |
| 1672 | FT 1/4" Hex Drive Phillips Screwdriver Tip  | 1  |
| 1673 | FT 1/4" Hex Drive 2.5mm Ball End Tip  | 1  |
| 1674 | FT 1/4" 5 Piece Power Tool Tips Set (5/64-2.0mm, 1.5mm, 2.5mm, 5/64"- 2.0mm ball, 2.5mm ball) | 1  |
| 1675 | FT Shock Shaft Pliers   | 1  |
| 1679 | FT T-Handle Ratchet Driver  | 1  |
| 1719 | FT Camber + Track Width Tool  | 1  |
| 1737 | FT Body Scissors  | 1  |
| 3718 | 12 Inch Nylon Wire Ties   | 12 |
| 3719 | 6 Inch Nylon Wire Ties  | 12 |
| 3720 | 8 Inch Nylon Wire Ties  | 12 |
| 3987 | FT Droop Gauge  | 1  |
| 7709 | 4 Inch Nylon Wire Ties  | 12 |



**Associated Electrics, Inc.  
26021 Commercentre Dr.  
Lake Forest, CA 92630 USA**

**<http://www.RC10.com>**

**[https://twitter.com/Team\\_Associated](https://twitter.com/Team_Associated)**

**<https://www.instagram.com/teamassociatedrc/>**

**<https://www.facebook.com/TeamAssociated/>**

**call: (949) 544-7500 - fax: (949) 544-7501**

**Check out the following web sites for all of our kits,  
current products, new releases, setup help, tips, and racing info!  
[www.TeamAssociated.com](http://www.TeamAssociated.com) - [www.RC10.com](http://www.RC10.com)**